

Our Showroom



Our Workshop



For Residence, Apartment and Office Building

THE ARCHITECTURAL HARDWARE



Our Services

- 10 Years Mechanical Warranty, Lifetime Stainless Steel Warranty
- Product Presentation
- Ironmongery Schedule
- Installation Service Supervision
- 24 Hours Emergency Service
- Technical Advisory

For further information please contact :

WE HAVE THE SPIRIT OF EXCELLENCE



PT. SARANA ARTHA GRAHAWISESA

Contact Us:

Perkantoran Kencana Niaga 1 Blok D1 - 3S
Jl. Taman Aries - Jakarta Barat
Telp. 021 - 5858660 (Hunting), Fax. 021 - 5858661
Website : www.sag-locks.com
E-mail : sales.project@sag-locks.com



product catalogue

Table of Content

2	Company Prole	37	Door Closer
3	Mortice Locks	39	Floor Hinges
10	Cylinder	41	Patch Fitting
15	Lever Handle	43	Door Accessories
22	Pull Handle	44	Friction Stay Gracia
26	Flush Handle	45	Window Accessories
27	Grip Handle Lockset	47	Certificate
28	Steel & Panic Door	48	Project References
32	Cylindrical Lock		
35	Butt Hinges		



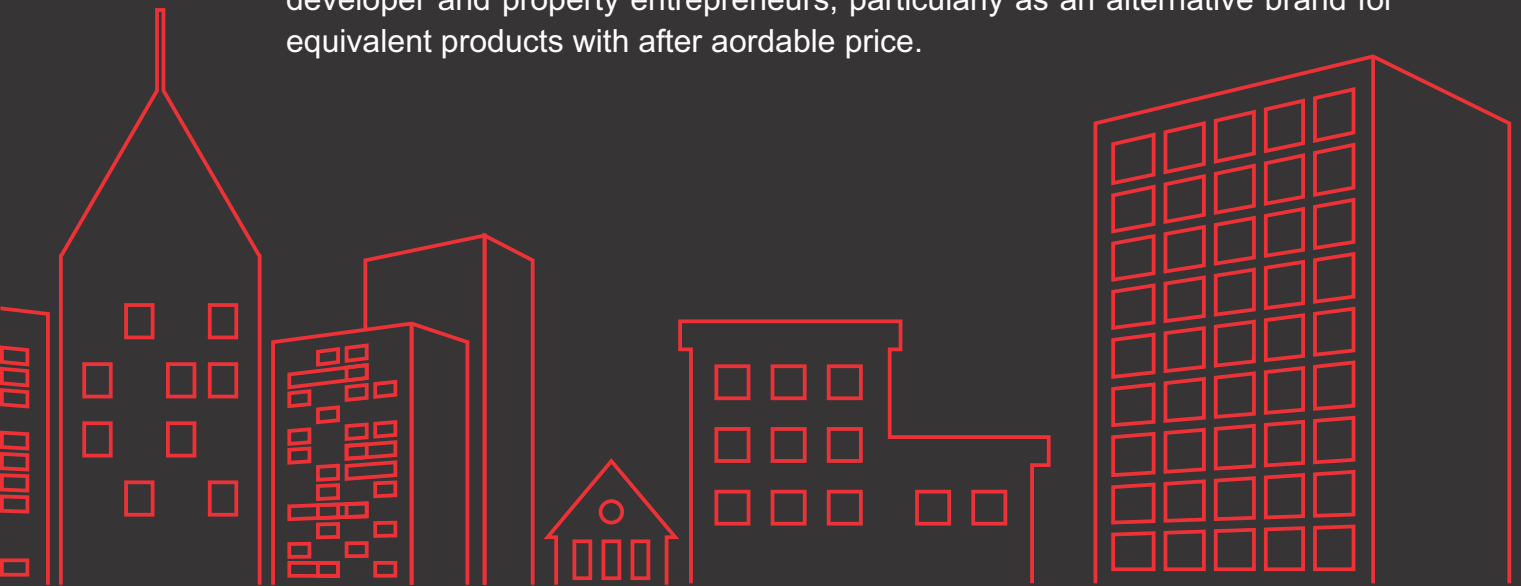


Germany Quality

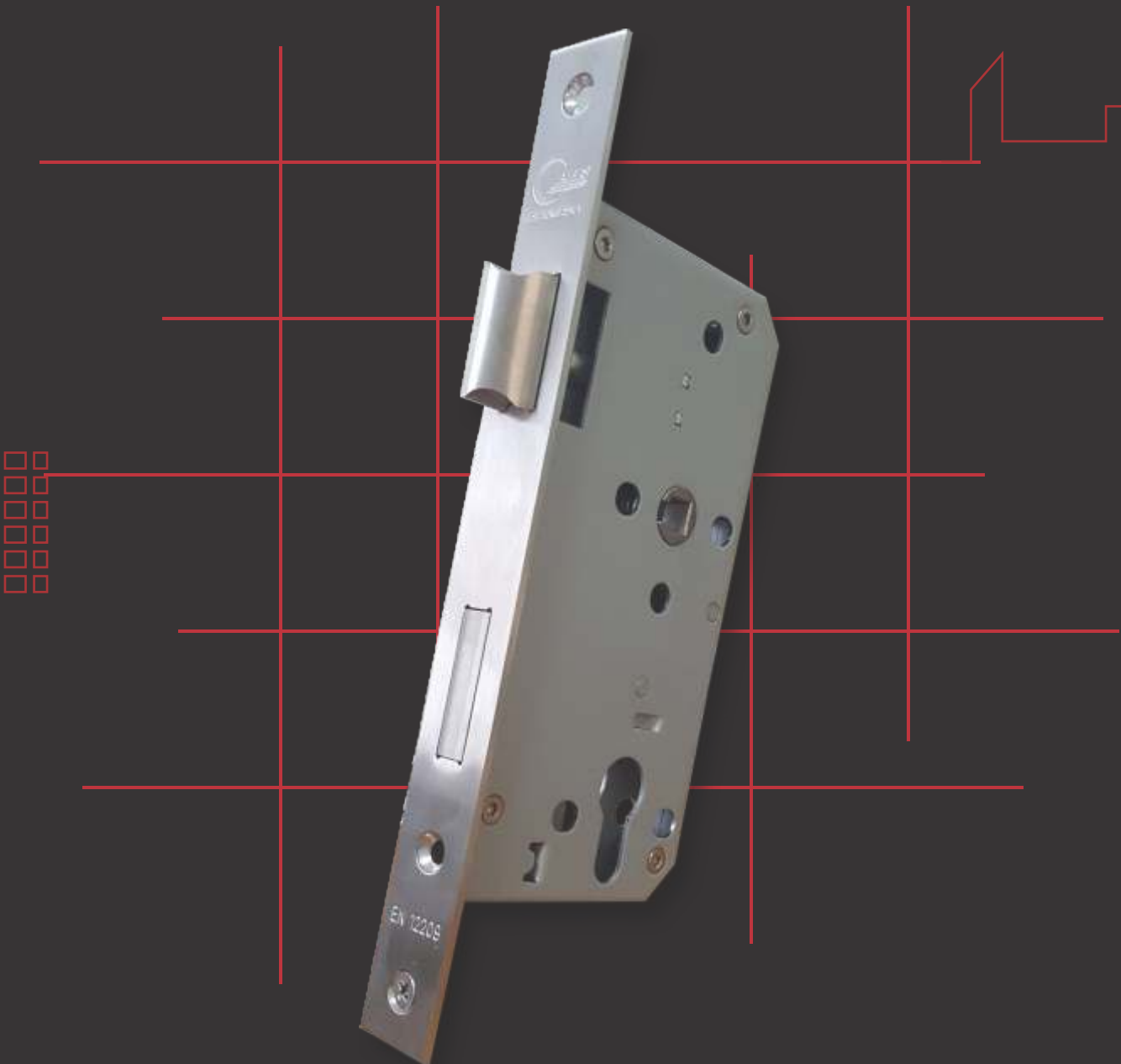
GERMANY QUALITY

Establish as a professional stainless steel architecture hardware manufacturing enterprise, CALFIS is engaged in advanced technology innovation and application in production. With good teams of talents in management and marketing of domestic hardware line, we can offer the innovative one-stop service system covering designing, developing, manufacturing, testing and marketing. Moreover, in order to ensure the rigorous quality control and considerate after-sales service system. CALFIS is very strict in raw material choice and production technique control, so as to make sure each product satisfying the international stainless steel standard. In each production process, we inspect the goods in details without expectation. We concentrate on the quality control and provide the best products to customers.

CALFIS is a brand with German Standard quality, modern and elegant style, more competitive pricing to attract wider market and supported by a complete variety of products, making CALFIS as a new brand has been sought after by developer and property entrepreneurs, particularly as an alternative brand for equivalent products with affordable price.

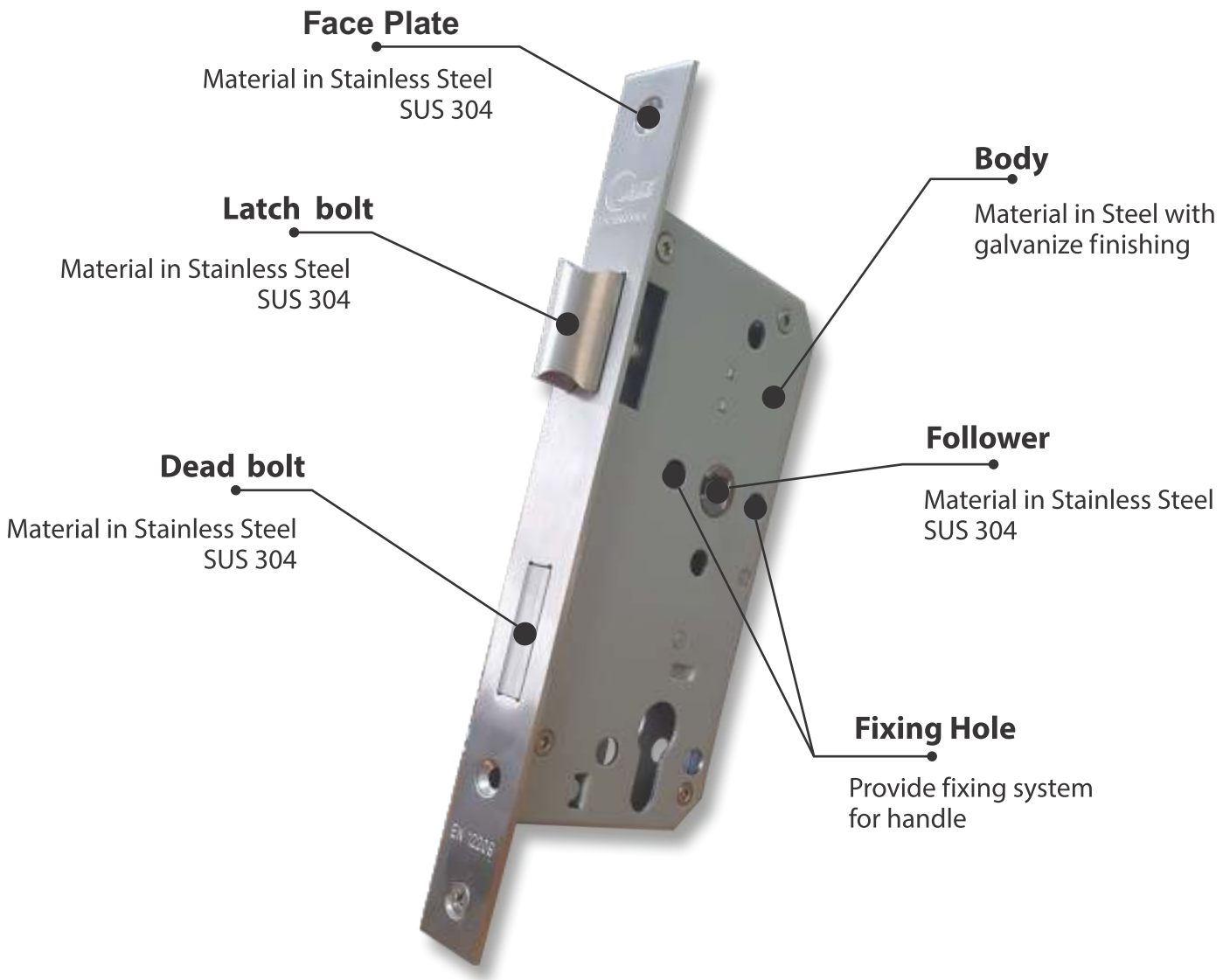


MORTICE LOCKS

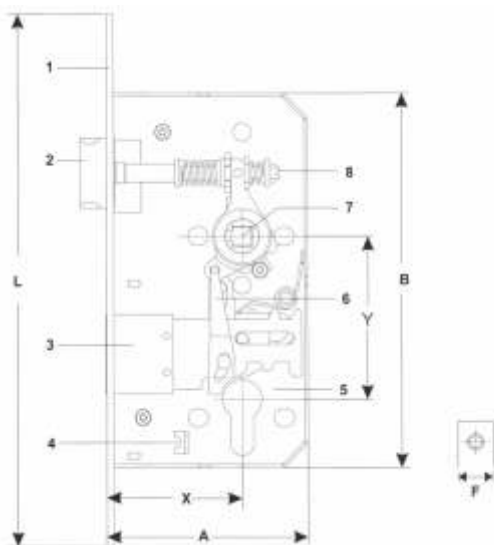


Our Strength

We are not old in history, but are young and energetic to work as professional team. We are not large in size, but are specialized in manufacturing wide range of architectural hardware. We are not big in capacity, but are always developing something high quality product in the hardware product. We are always trying up to date with trend of markets as well as trend of product, and are trying to develop such product in the best quality.



Mortice Spareparts



Features

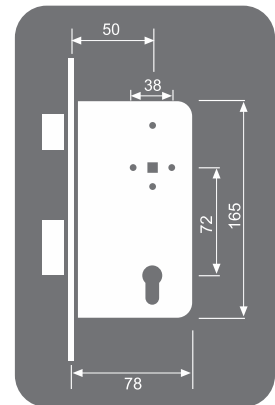
1. Face Plate
2. Latch bolt
3. Dead bolt
4. Screw channel for cylinder
5. Lock case
6. Action-arm
7. Follower for handle
8. Turning device

X Bucket
Y Centre Distance
A Lock case width
B Lock case height
L Face Plate Length
F Face Plate width

17180.50

FEATURE

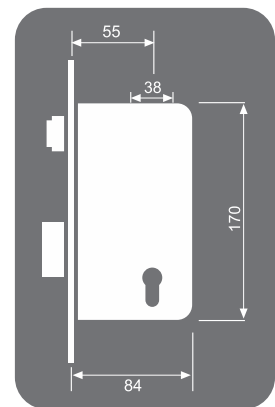
- For wooden door
- Revisible latch bolt (no handed)
- Backset : 50 mm
- Follower : 8 x 8 mm
- Centres : 72 mm
- Face Plate : L=235 mm, W=24mm, T=3mm
- Striking plate : L=183 mm, W=24mm, T=1mm
- Application for swing door single action with lever handle.



17182.50

FEATURE

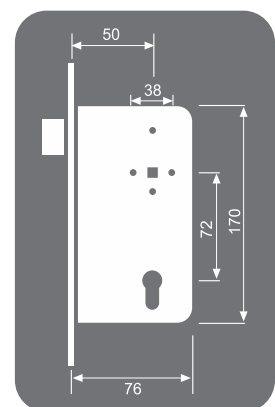
- For wooden door
- Adjustable roller bolt
- Backset : 55 mm
- Face Plate : L=240 mm, W=24mm, T=3mm
- Striking plate : L=183 mm, W=24mm, T=1mm
- Application for swing door with pull handle

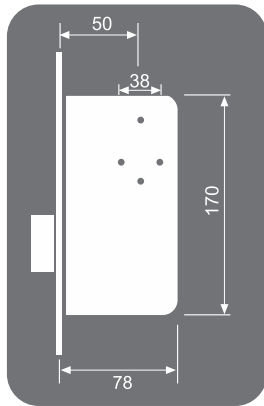


17181.50

FEATURE

- For wooden door
- Revisible latch bolt (no handed)
- Backset : 50 mm
- Face Plate : L=235 mm, W=24mm, T=3mm
- Striking plate : L=183 mm, W=24mm, T=1mm
- Application for swing door single action with lever handle (unlock).

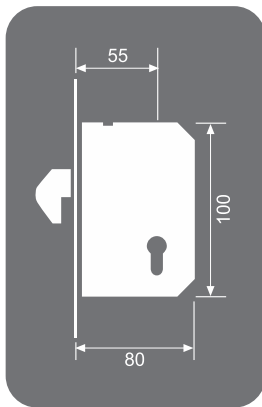




17197.50

FEATURE

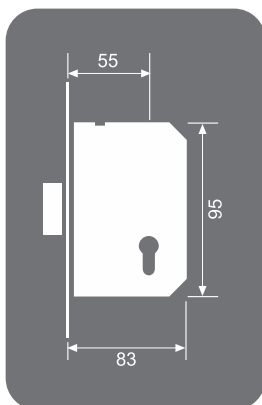
- For wooden door
- Backset : 50 mm
- Face Plate : L=235 mm, W=24mm, T=3mm
- Striking plate : L=183 mm, W=24mm, T=1mm
- Application for swing door



17150.55

FEATURE

- For wooden door
- with hook bolt
- Backset : 55 mm
- Face Plate : L=235 mm, W=24mm, T=3mm
- Striking plate : L=90 mm, W=25mm, T=2mm
- Application for sliding door single action with flush handle or pull handle.



17146.55

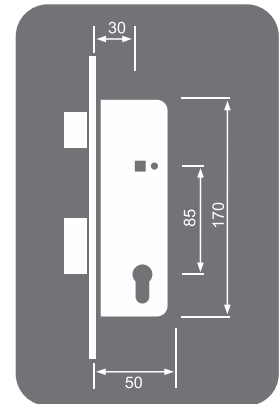
FEATURE

- For wooden door
- Backset : 55 mm
- Face Plate : L=138 mm, W=24mm, T=3mm
- Striking plate : L=98 mm, W=24mm, T=1mm
- Application for swing door

17138.30

FEATURE

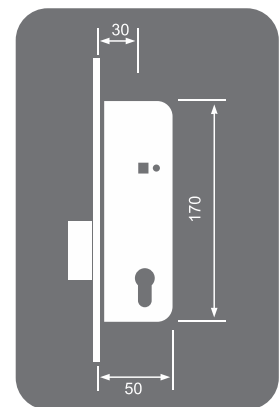
- For aluminium door
- Revisible latch bolt (no handed)
- Backset : 30 mm
- Follower : 8 x 8 mm
- Centres : 85 mm
- Face Plate : L=237 mm, W=21mm, T=3mm
- Striking plate : L=183 mm, W=24mm, T=1mm
- Application for swing door single action with lever handle.



17139.30

FEATURE

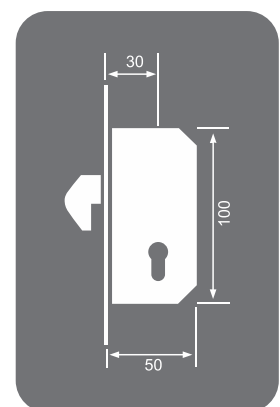
- For aluminium door
- Backset : 30 mm
- Face Plate : L=237 mm, W=21mm, T=3mm
- Striking plate : L=183 mm, W=24mm, T=1mm
- Application for swing door

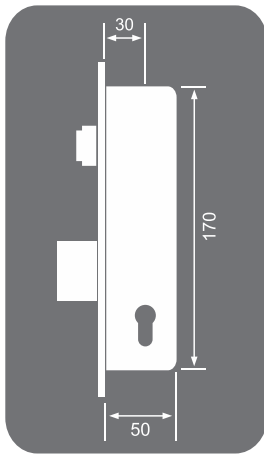


17136.30

FEATURE

- For aluminium door
- with hook bolt
- Backset : 30 mm
- Face Plate : L=142 mm, W=20mm, T=3mm
- Striking plate : L=122 mm, W=20mm, T=3mm
- Application for sliding door single action with flush handle or pull handle

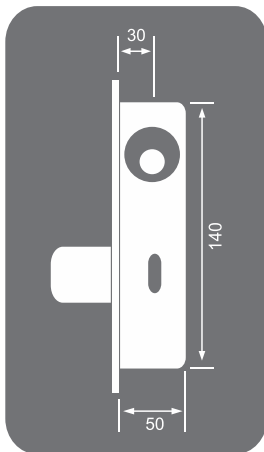




17132.30

FEATURE

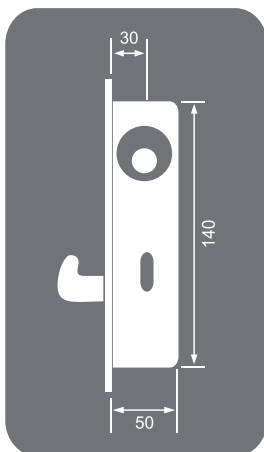
- For aluminium door
- Adjustable roller bolt
- Backset : 30 mm
- Face Plate : L=237 mm, W=21mm, T=3mm
- Striking plate : L=183 mm, W=24mm, T=1mm
- Application for swing door with pull handle



ADM 523

FEATURE

- For aluminium door
- Backset : 30 mm
- Face Plate : L=175 mm, W=20mm, T=3mm
- Striking plate : L=175 mm, W=20mm, T=1mm
- Application for swing door with pull handle



ADM 525

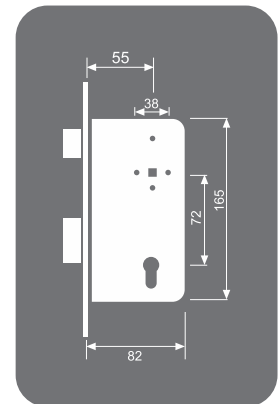
FEATURE

- For aluminium door
- with hook bolt
- Backset : 30 mm
- Face Plate : L=175 mm, W=20mm, T=3mm
- Striking plate : L=175 mm, W=20mm, T=1mm
- Application for sliding door single action with flush handle or pull handle

17180.55

FEATURE

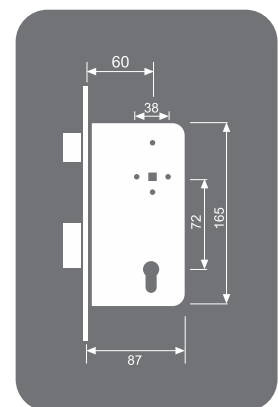
- For steel door
- Revisible latch bolt (no handed)
- Backset : 55 mm
- Follower : 8 x 8 mm
- Centres : 72mm
- Face Plate : L=235 mm, W=24mm, T=3mm
- Striking plate : L=183 mm, W=24mm, T=1mm
- Application for swing door single action with lever handle.



17180.60

FEATURE

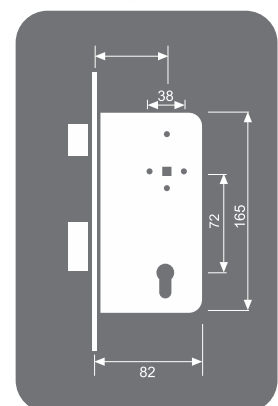
- For steel door with fire rating
- Revisible latch bolt (no handed)
- Backset : 60 mm
- Follower : 8 x 8 mm
- Centres : 72 mm
- Face Plate : L=235 mm, W=24mm, T=3mm
- Striking plate : L=170 mm, W=24mm, T=1mm
- Fire Rating : 2 - 3 hours
- Application for swing door single action with lever handle.



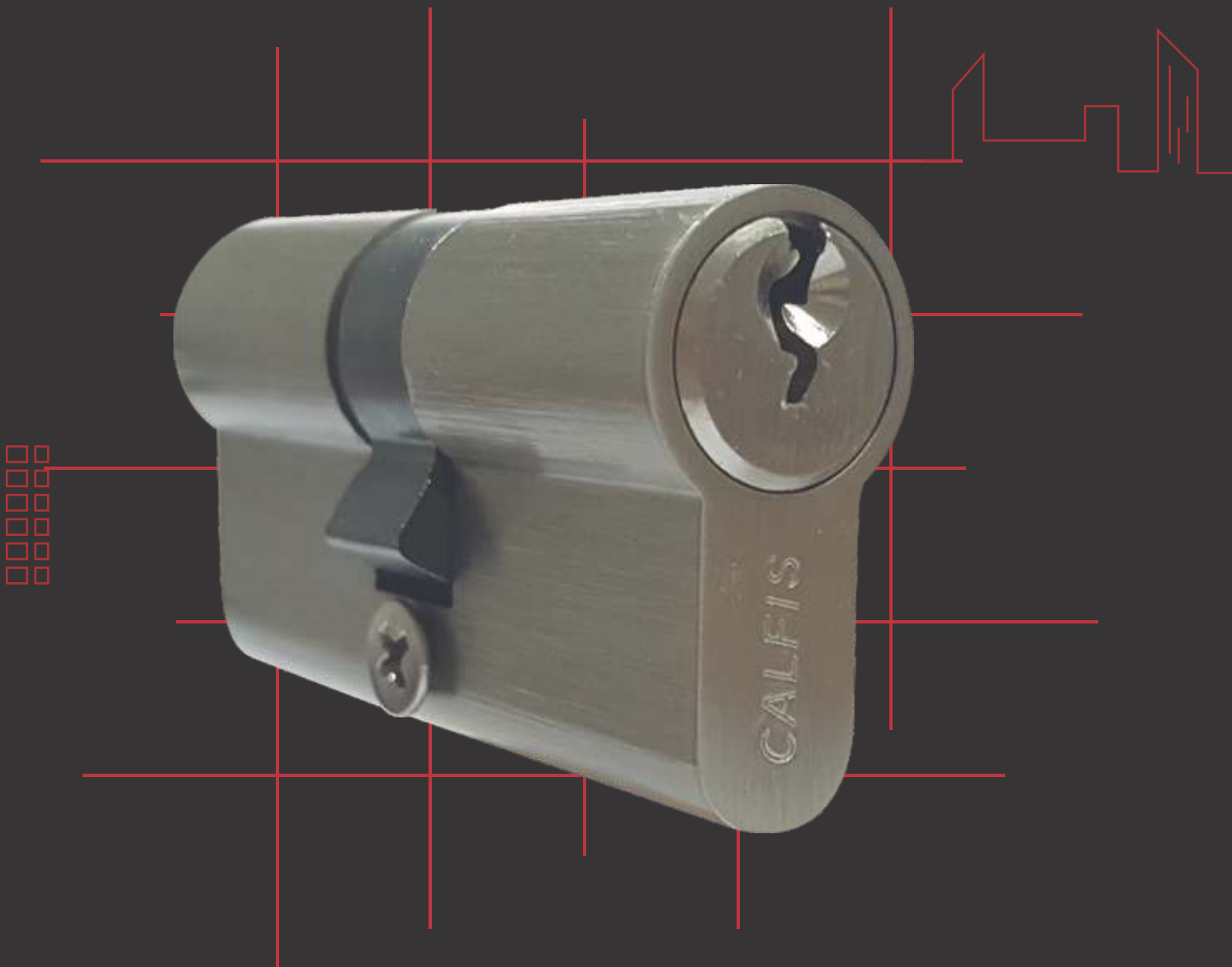
27169.65

FEATURE

- For panic door
- Revisible latch bolt (no handed)
- Backset : 65 mm
- Follower : 8 x 8 mm
- Centres : 72 mm
- Face Plate : L=235 mm, W=24mm, T=3mm
- Striking plate : L=152 mm, W=24mm, T=1mm
- Panic System with fire rating 2 - 3 hours
- Application for swing door single action with lever handle or panic device.

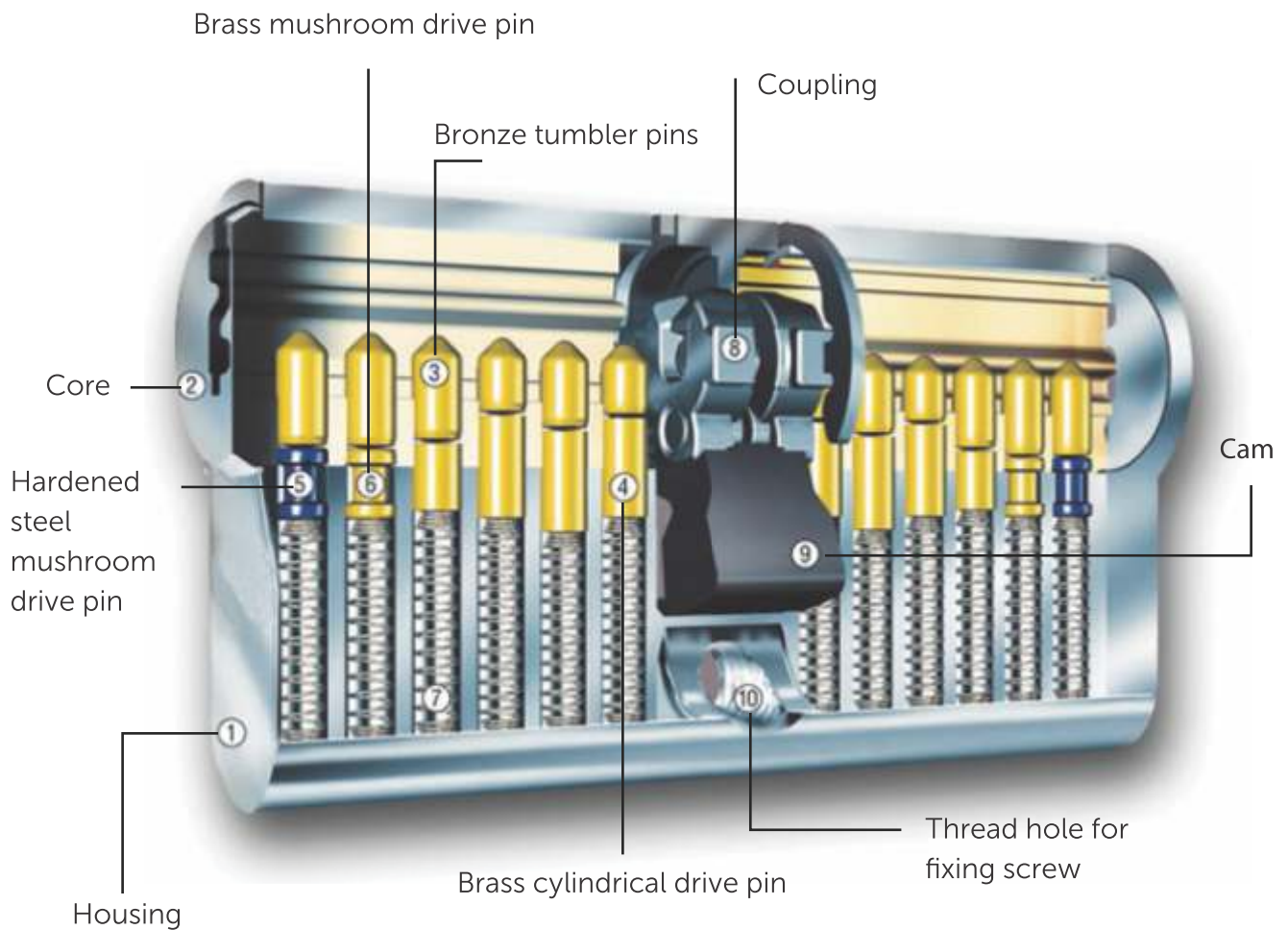


CYLINDER



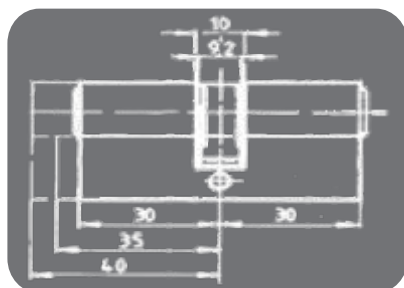
Our Quality and Precision

The high quality of our product is based on advance technology that keeps pace with the times. Our service promise is to be friendly, flexible and fast. This expresses the spirit of Calfis; we are dedicated to supporting our customers as well as our products.



FEATURE

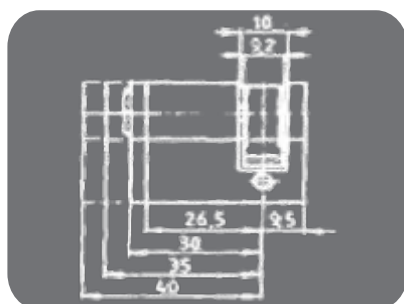
1. Satin chromium-plated cylinder body.
2. Cylinder cores with reinforced key guide and satin chromium-plated.
3. 6 Pairs of special wear-resistant bronze security locking pins having steel centres on both side of core.
4. This special cylinder having 6 pairs of pins offer more than 10 times the number of key variation already available, by means of oblique key profile millions of key variations are possible.
5. Body and wing pins have security catches.
6. Bronze spring, solid steel cam.
7. In case of emergency it is possible to use the cylinder on one side when the key has been left in the lock on the other side.
8. Cylinder fixing screw M5.



17140.60

FEATURE

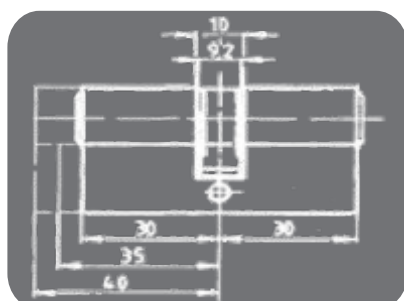
- Profile double cylinder for mortice locks
- Cylinder brass dull nickelled
- Six pairs of security pins
- Core pins are of special wear resistance bronze
- Solid steel cam
- Three nickel plated keys
- Size 60, 70 mm and available request costumize by door thickness



171410.30

FEATURE

- Profile half cylinder for mortice locks
- Cylinder brass dull nickelled
- Six security pins
- Core pins are of special wear resistance bronze
- Solid steel cam
- Three nickel plated keys
- Size 30, 40 mm and available request costumize by door thickness



171405.60

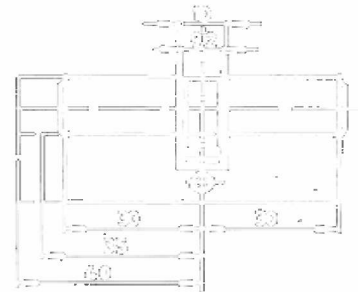
FEATURE

- Profile thumbturn cylinder for mortice locks
- Cylinder brass dull nickelled
- Six security pins
- Core pins are of special wear resistance bronze
- Solid steel cam
- Inside with thumbturn and outside with Three nickel plated keys
- Size 60, 70 mm and available request costumize by door thickness

171477.60

FEATURE

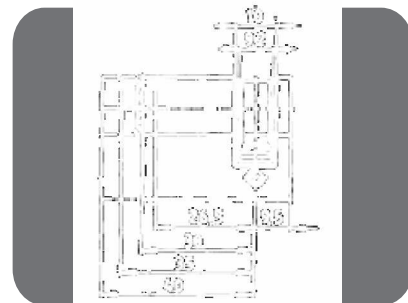
- Profile thumbturn cylinder with emergency coin
- Cylinder brass dull nickelled
- Solid steel cam
- Inside with thumbturn and outside with emergency coin slot
- Size 60, 70 mm and available request customize by door thickness



171413.30

FEATURE

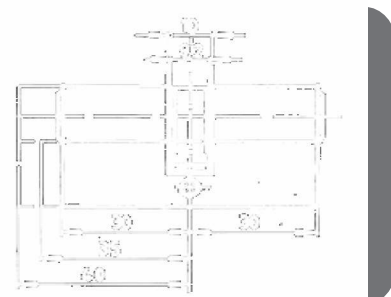
- Profile half thumbturn cylinder
- Cylinder brass dull nickelled
- Solid steel cam
- Inside with thumbturn
- Size 30, 40 mm and available request customize by door thickness



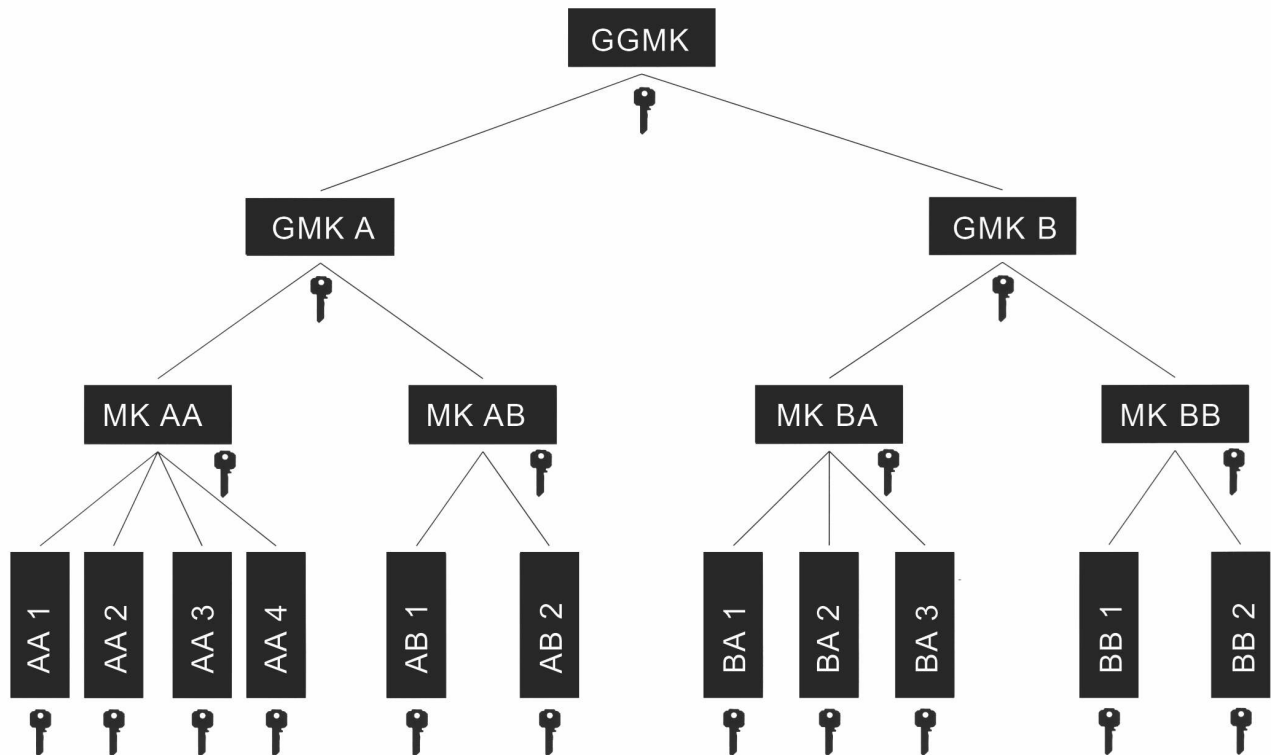
EMK-7400.60

FEATURE

- Profile double cylinder for mortice locks
- Cylinder brass dull nickelled
- Six pairs of security pins
- Core pins are of special wear resistance bronze
- Solid steel cam
- Five nickel plated dimple keys
- Size 60, 70 mm and available request customize by door thickness



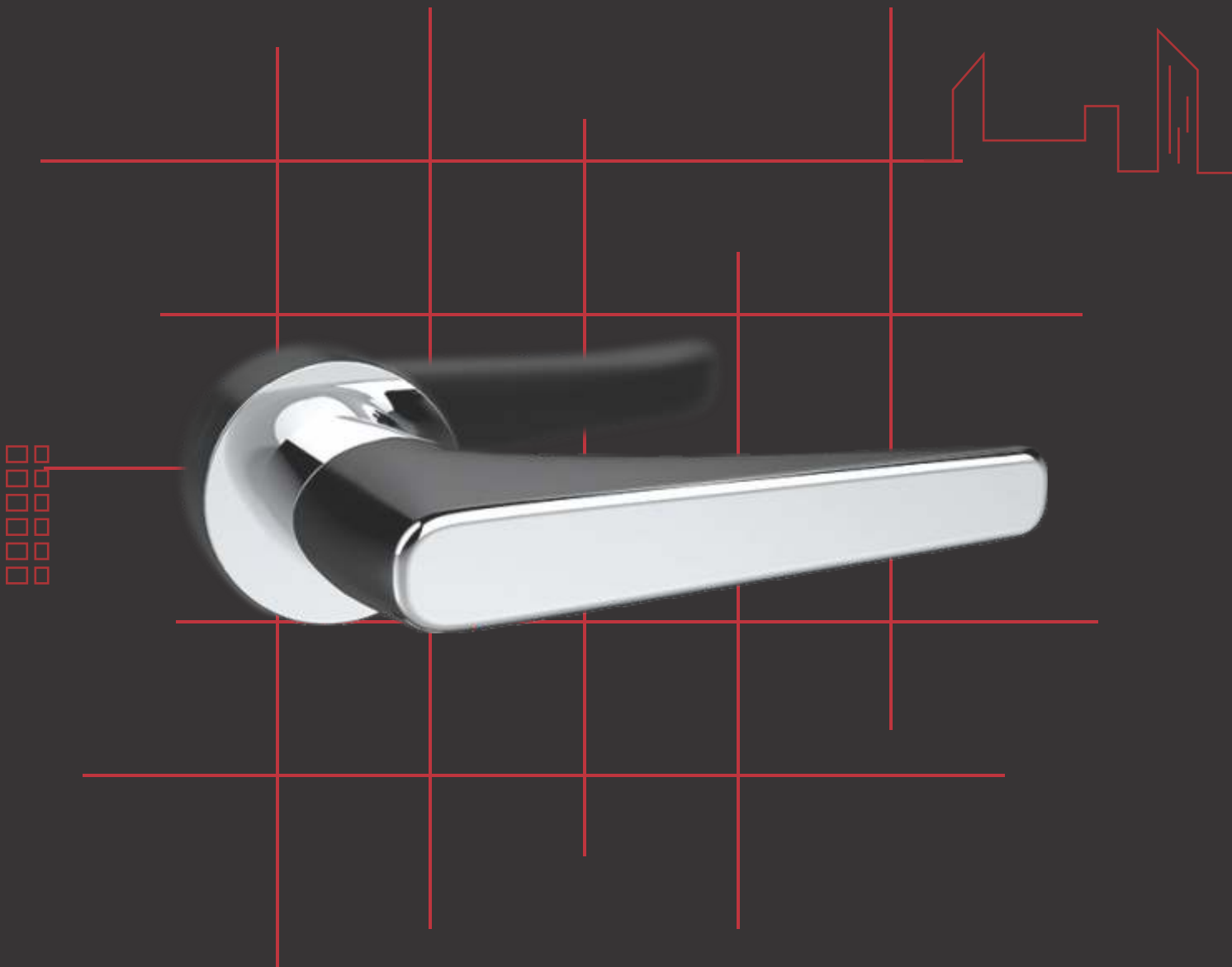
These system are suitable for factories, hotels, administration buildings, apartment buildings, oce buildings, hospital, school, etc. The great grand master key passes all locks, the grand master key passes all locks of the region, the master key passes all locks of these group and the single key passes only one room.



Example :

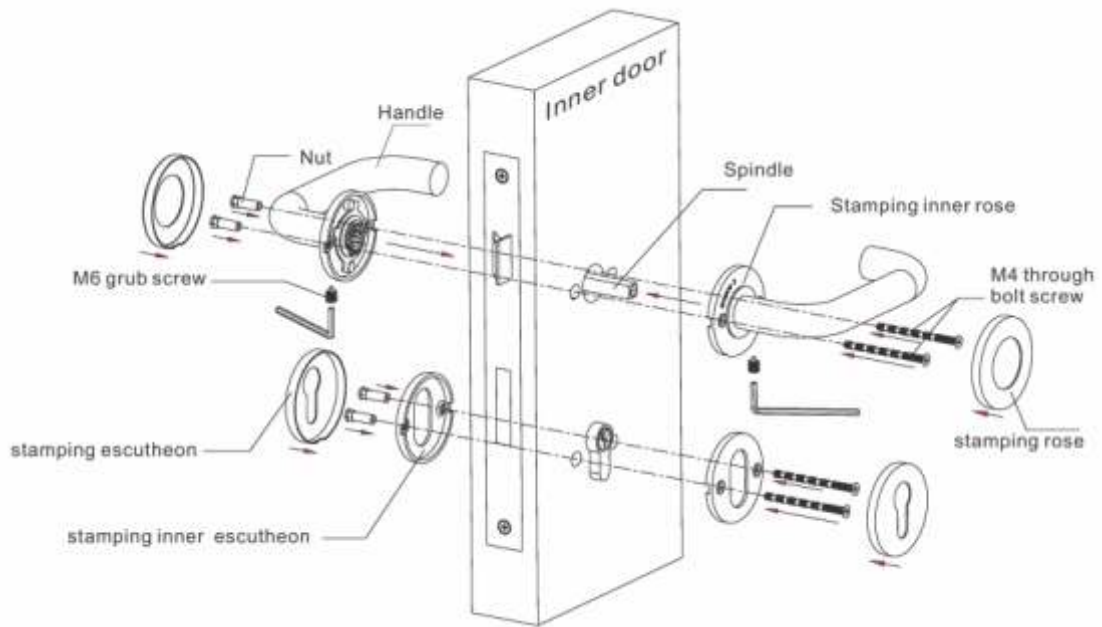
- IK : Individual Key
Example :
Key no. AA1 can operate lock no. AA1
- MK : Master Key AA can operate lock no. AA1-AA4
Master Key AB can operate lock no. AB1-AB2
Master Key BA can operate lock no. BA1-BA3
Master Key BB can operate lock no. BB1-BB2
- GMK : Grand Master Key A can operate group AA & AB
Grand Master Key B can operate group BA & BB
- GGMK : Great Grand Master Key can operate group A & B
- KA : Key Alike, the same key can operate two or more locks.

LEVER HANDLE

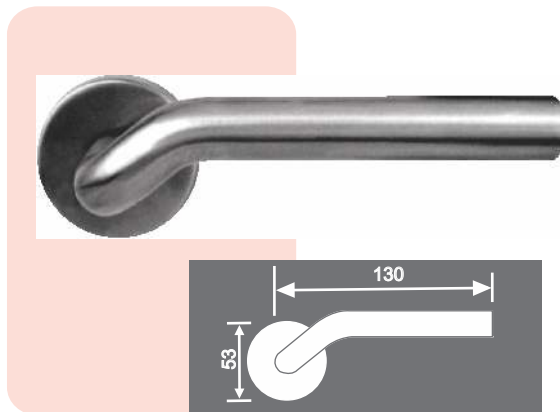


Our Wish

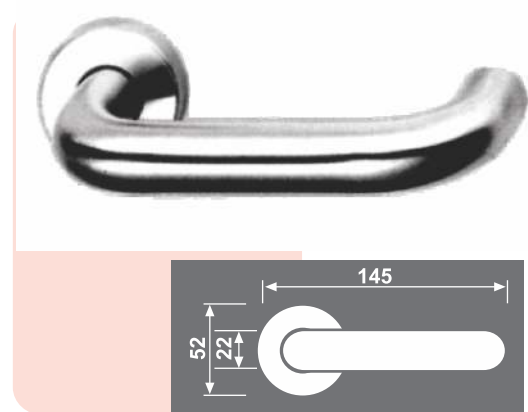
Our biggest wish is to satisfy our customers as best as possible, our first class production technology, standardized production, creative design, perfect service and production management system, and effective control of production quality, will provide you with a more comfortable, fashionable, and safe life, with our professional product quality



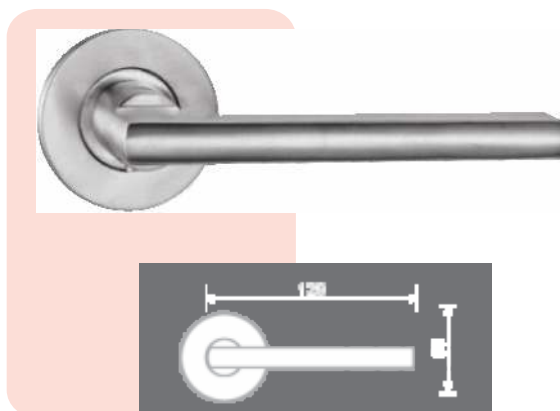
LH UL 303 S.S, P.S



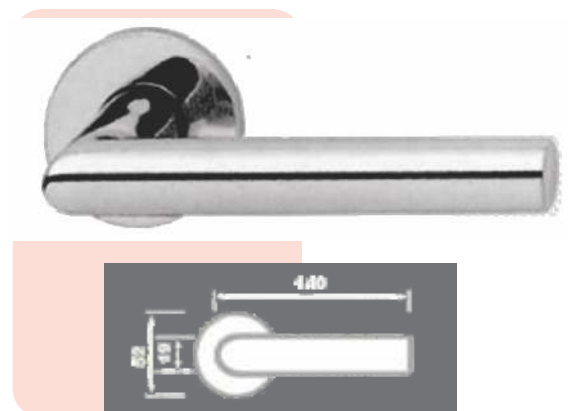
LH UL 306/22 S.S P.S



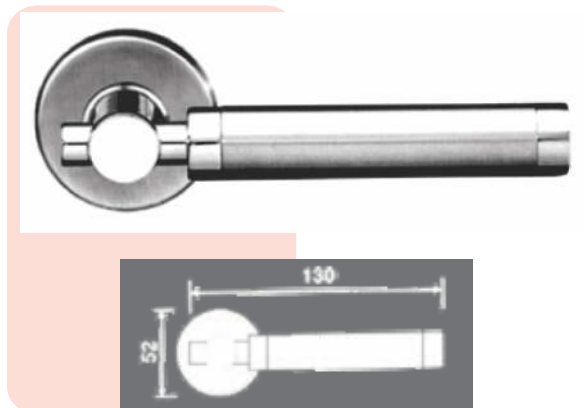
LH UL 307 S.S, P.S



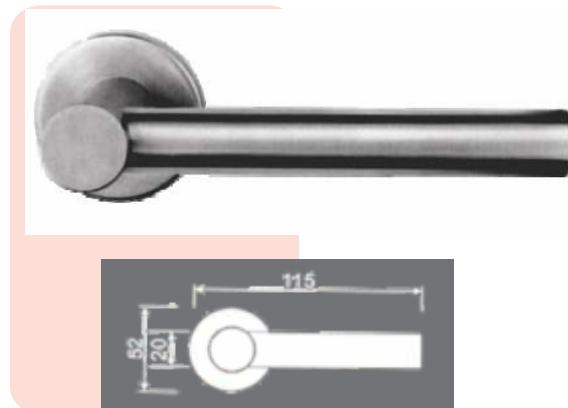
LH UL 314 S.S, P.S



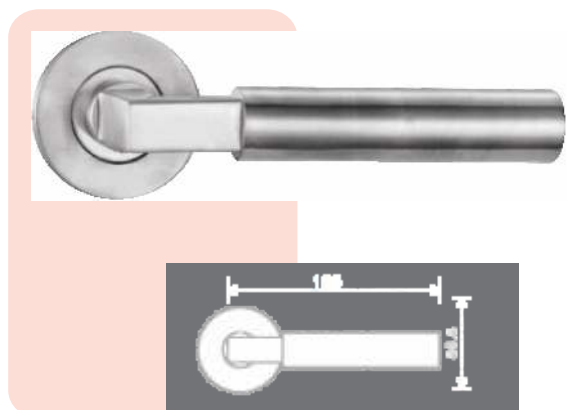
LH UL 317 S.S, P.S



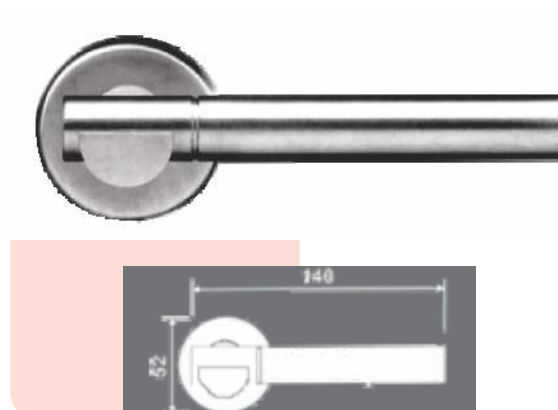
LH UL 318 S.S, P.S



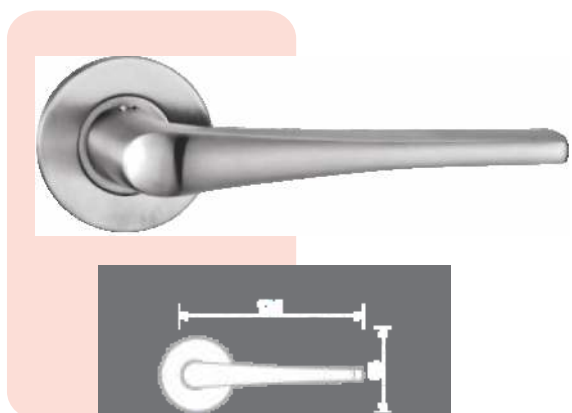
LH UL 319 S.S, P.S



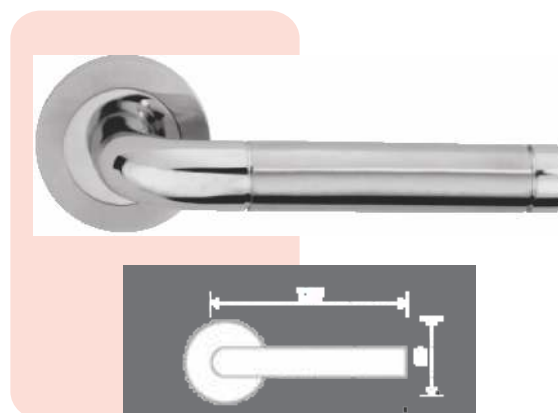
LH UL 320 S.S, P.S



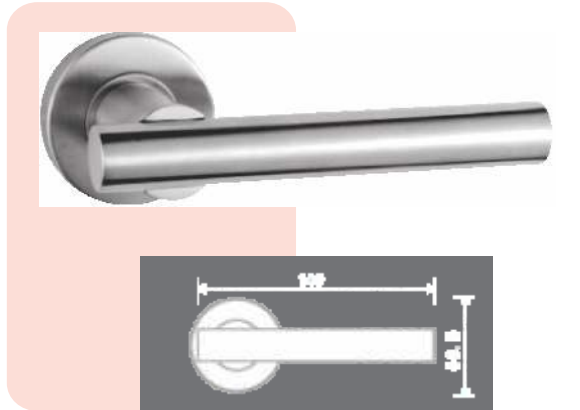
LH UL 322 S.S, P.S



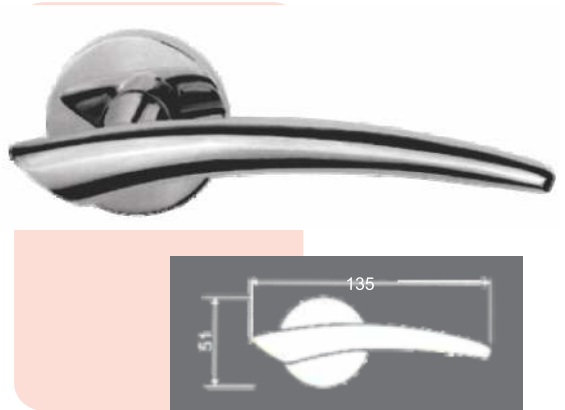
LH UL 324 S.S, P.S



LH UL 329 S.S, P.S



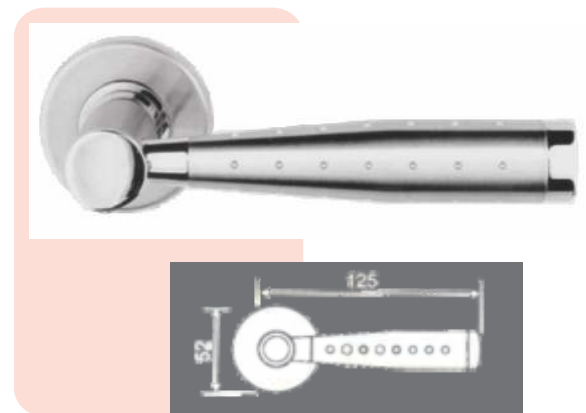
LH UL 330 S.S, P.S



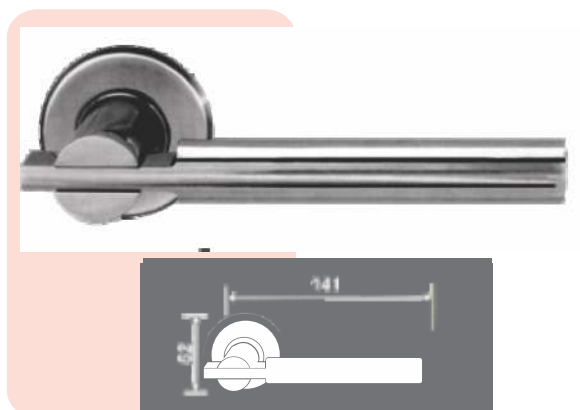
LH UL 331 S.S, P.S



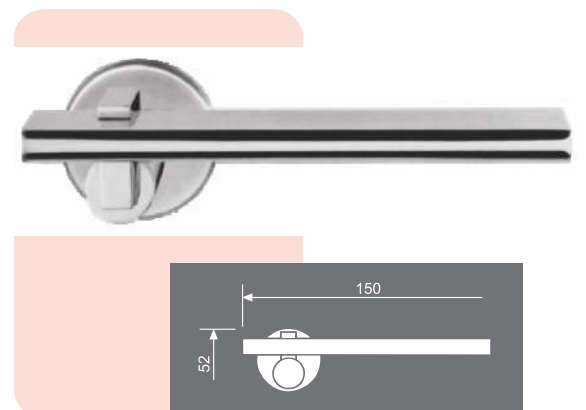
LH UL 332 S.S, P.S



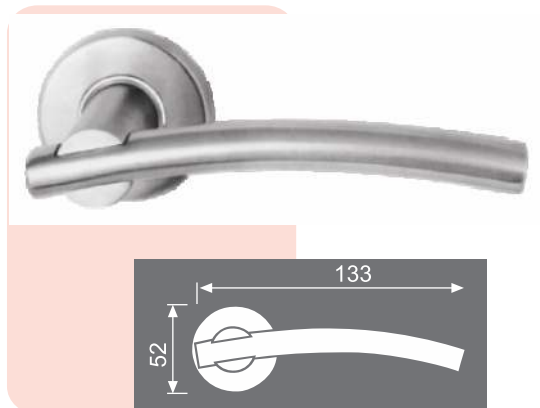
LH UL 334 S.S, P.S



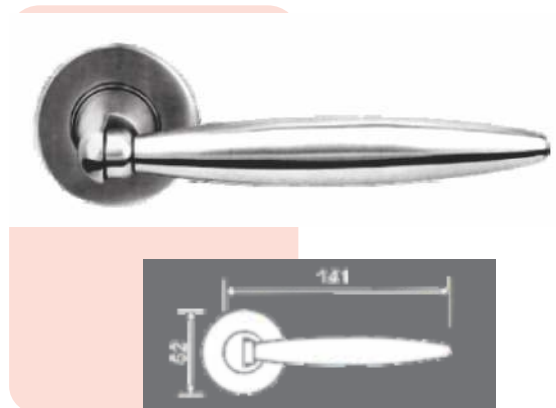
LH UL 336 S.S, P.S



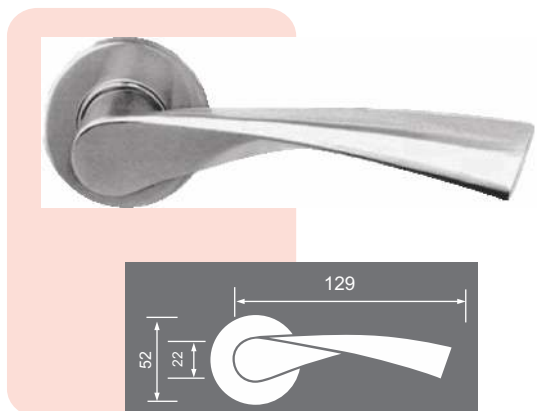
LH UL 342 S.S, P.S



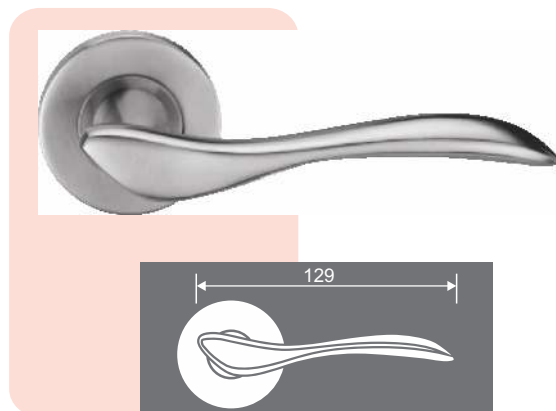
LH UL 344 S.S, P.S



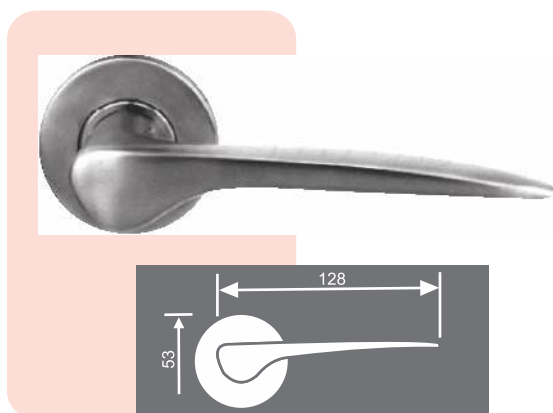
LH UL 345 S.S, P.S



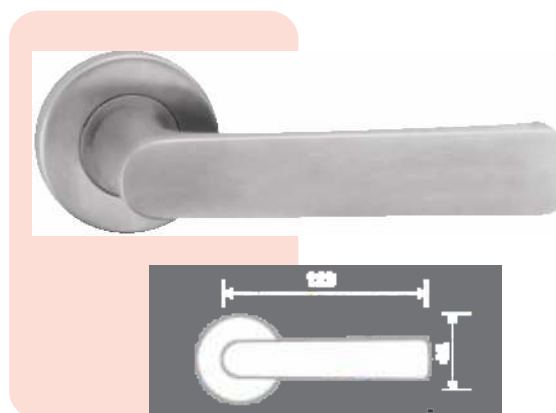
LH UL 347 S.S, P.S



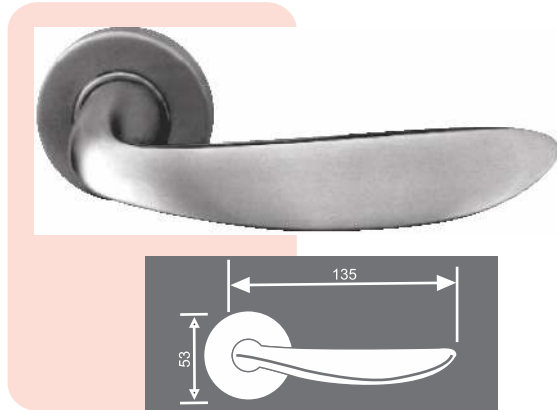
LH UL 362 S.S, P.S



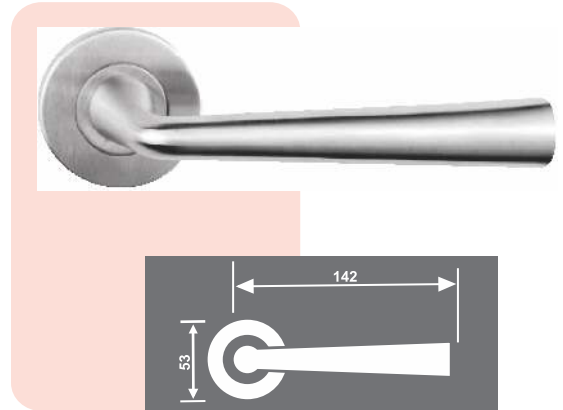
LH UL 365 S.S, P.S



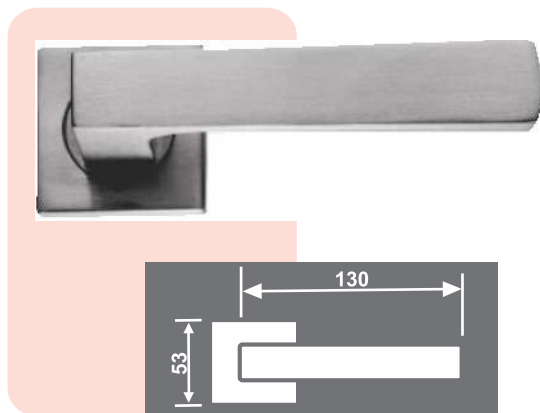
LH UL 367 S.S, P.S



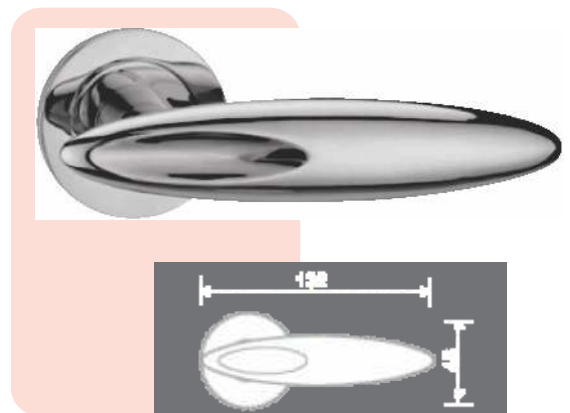
LH UL 369 S.S, P.S



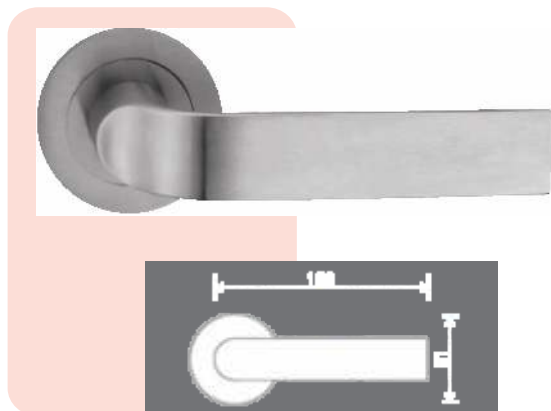
LH UL 370 S.S, P.S



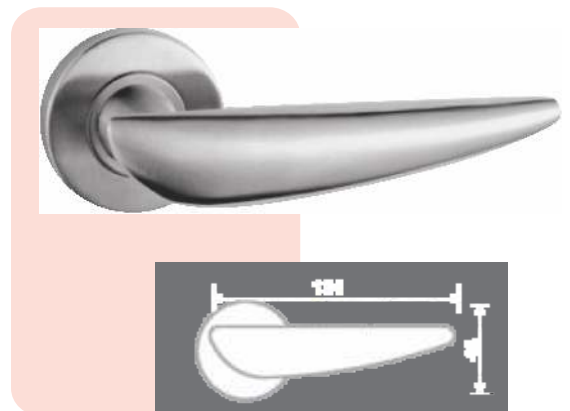
LH UL 371 S.S, P.S



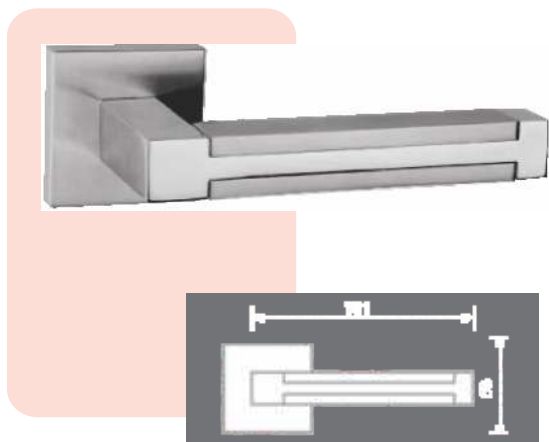
LH UL 372 S.S, P.S



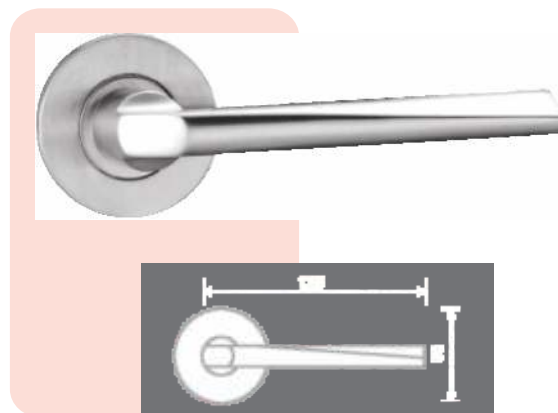
LH UL 378 S.S, P.S



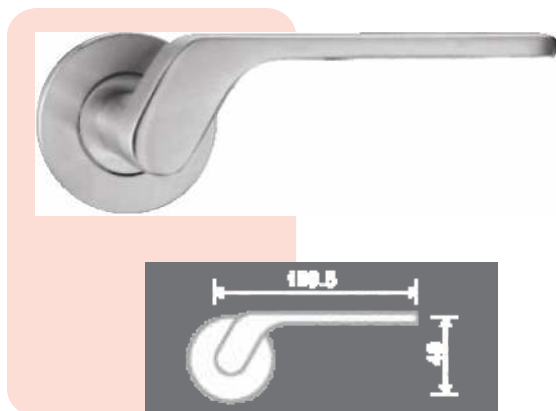
LH UL 383 S.S, P.S



LH UL 385 S.S, P.S



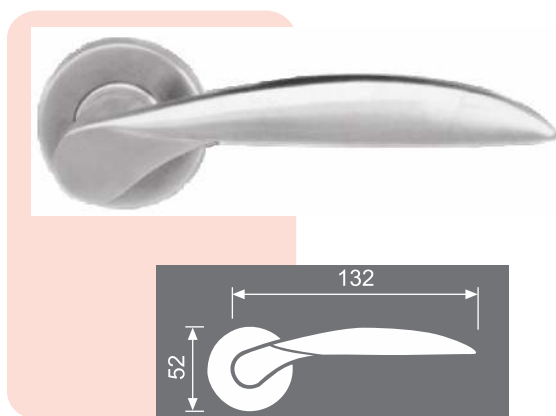
LH UL 387 S.S, P.S



LH UL 395 S.S, P.S



LH UL 397 S.S, P.S



FINISH :

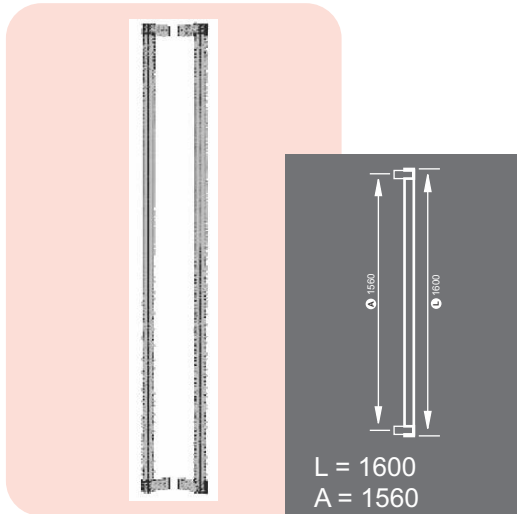


Satin Stainless Steel (SS)

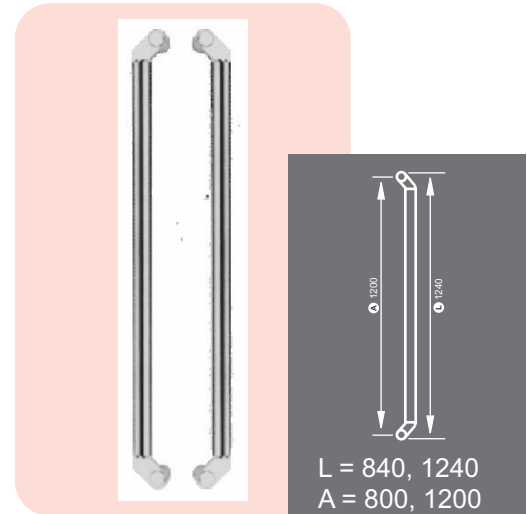


Polish Stainless Steel (PS)

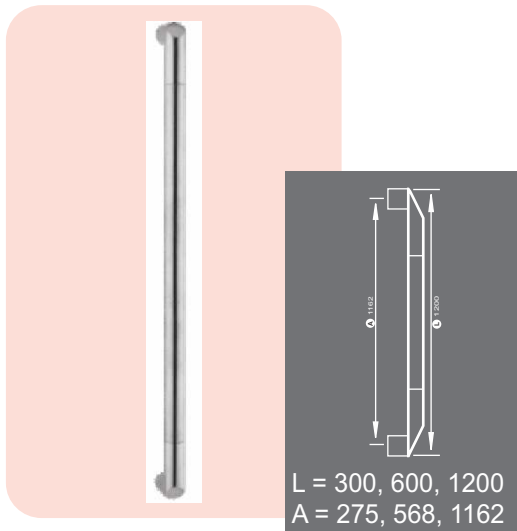
PH 3301 S.S, P.S



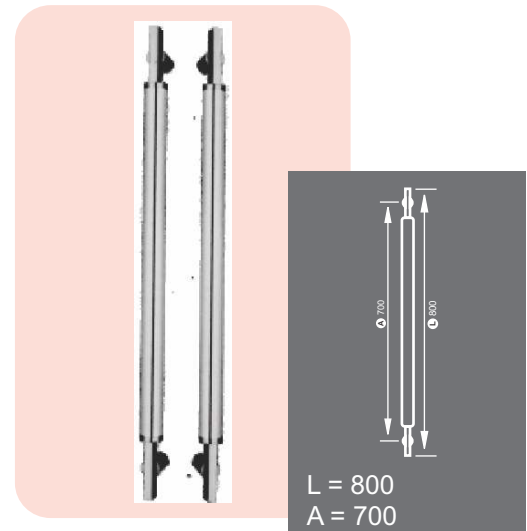
PH 3302 S.S, P.S



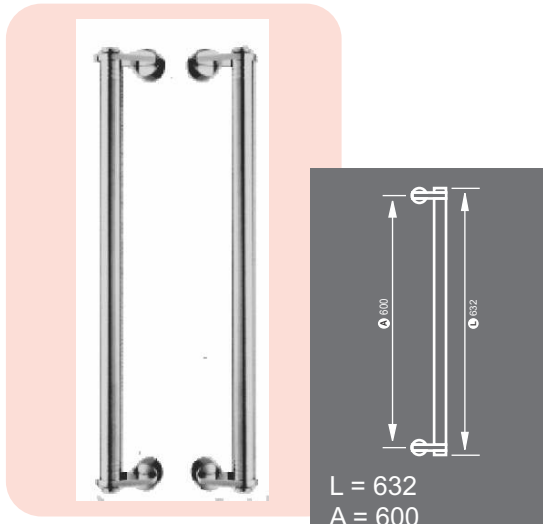
PH 3303 S.S, P.S



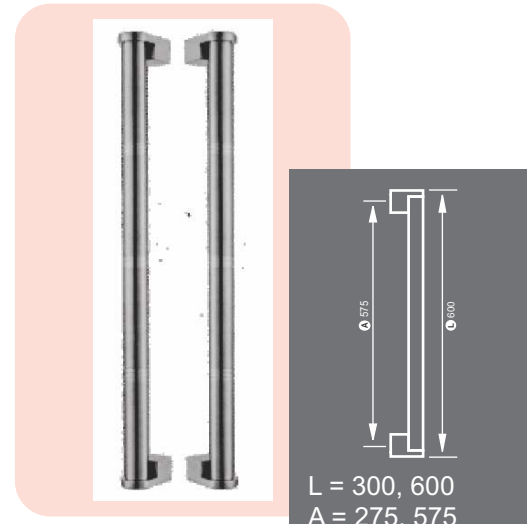
PH 3305 S.S, P.S



PH 3306 S.S, P.S

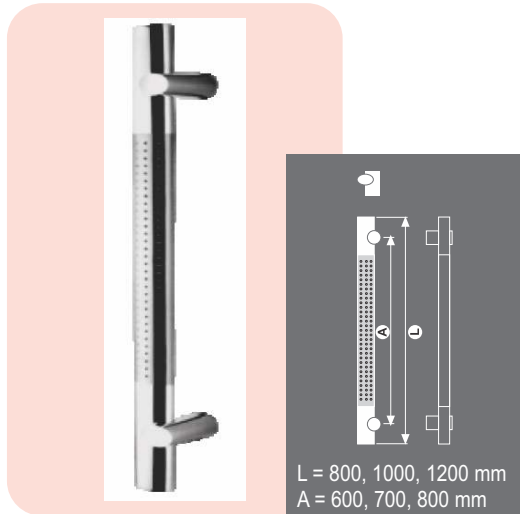


PH 3307 S.S, P.S

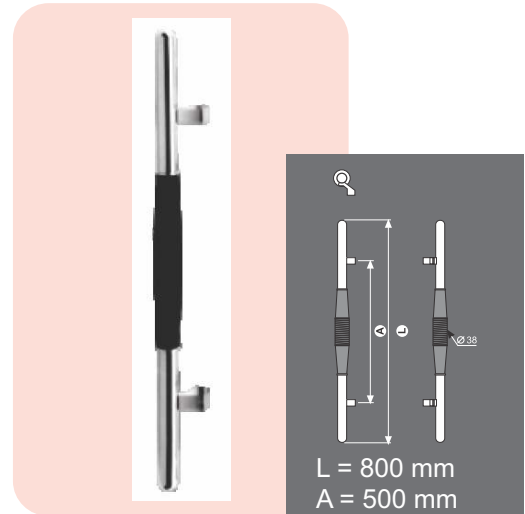


Note : Size are available by request

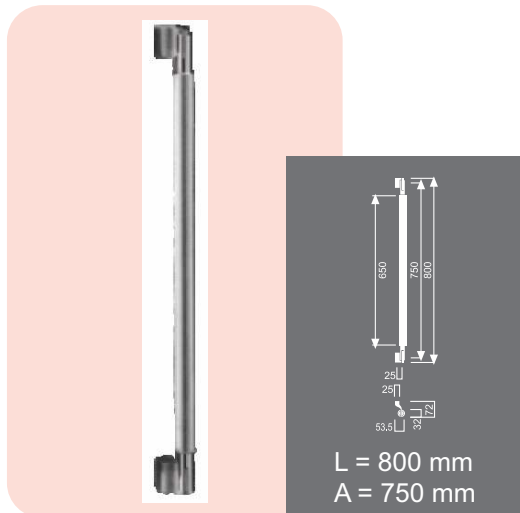
PH 3114 S.S, P.S



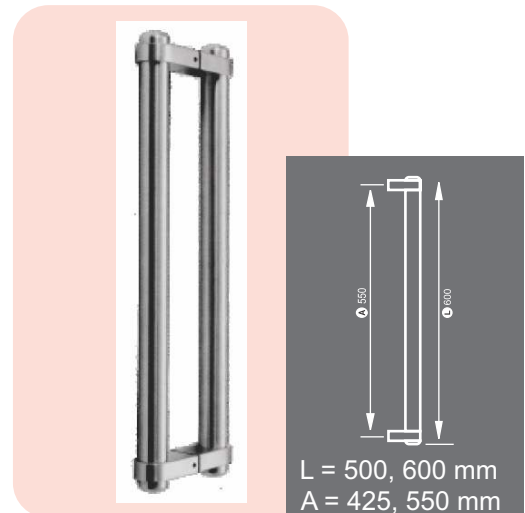
PH 3164 S.S, P.S



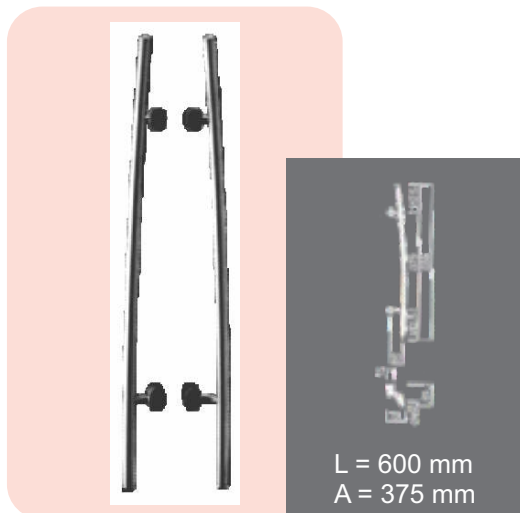
PH 3015 S.S, P.S



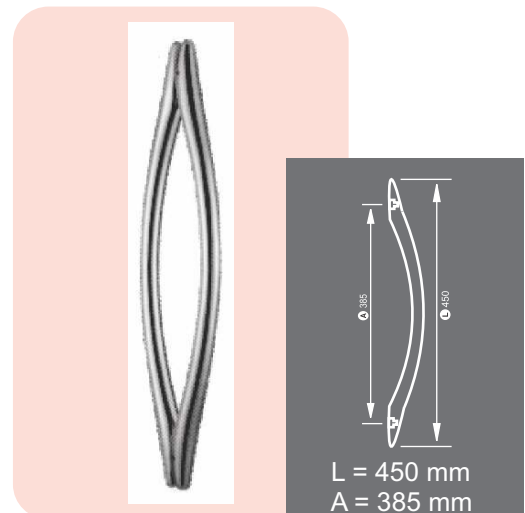
PH 3016 S.S, P.S



PH 3012 S.S, P.S

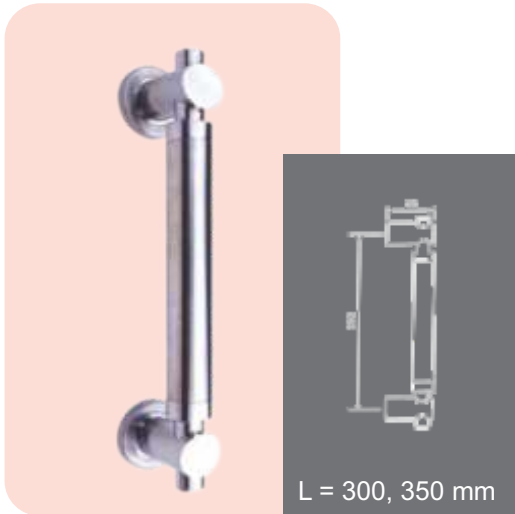


PH 3017 S.S, P.S

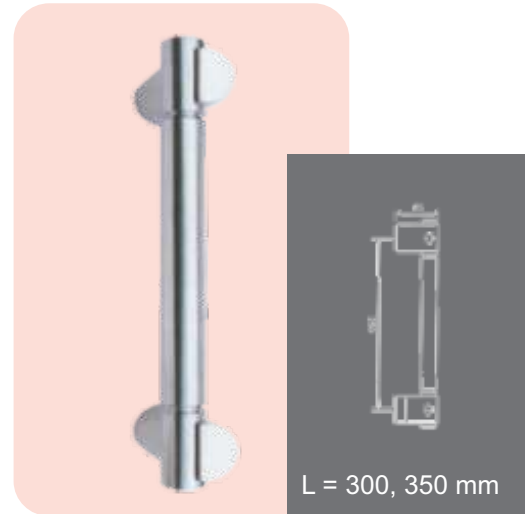


Note : Size are available by request

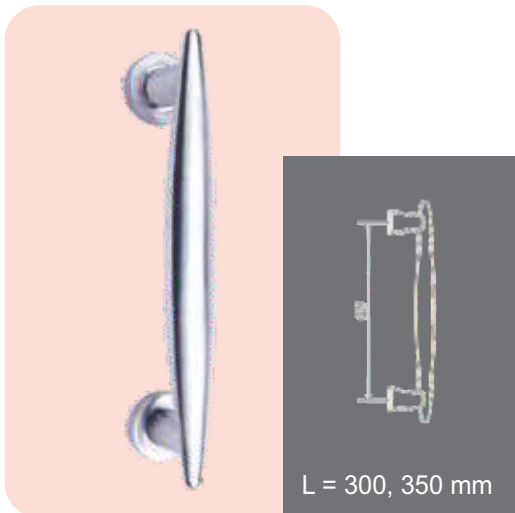
PH 246 S.S, P.S



PH 248 S.S, P.S



PH 251 S.S, P.S



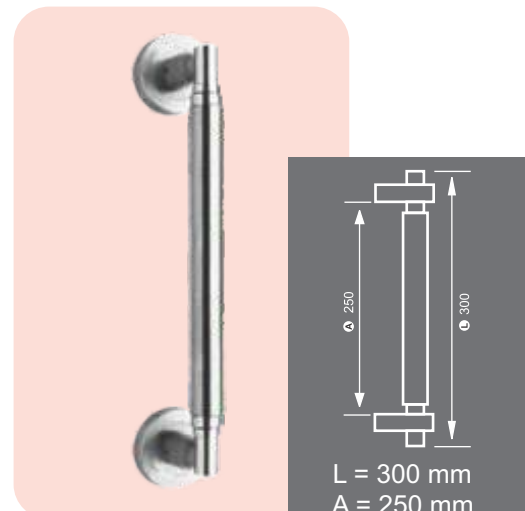
PH 252 S.S, P.S



PH 200 S.S, P.S



PH 273 S.S, P.S



Note : Size are available by request

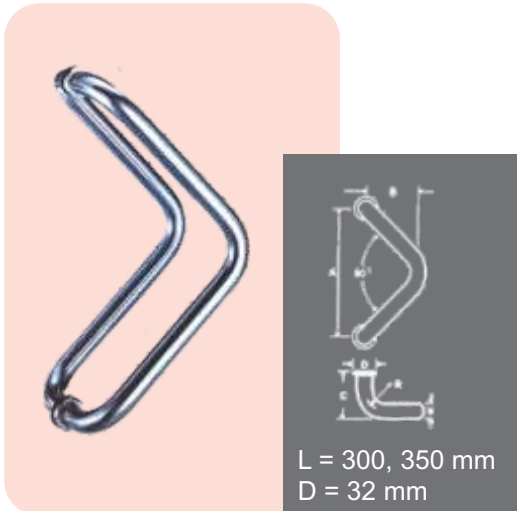
GD 9330 S.S, P.S



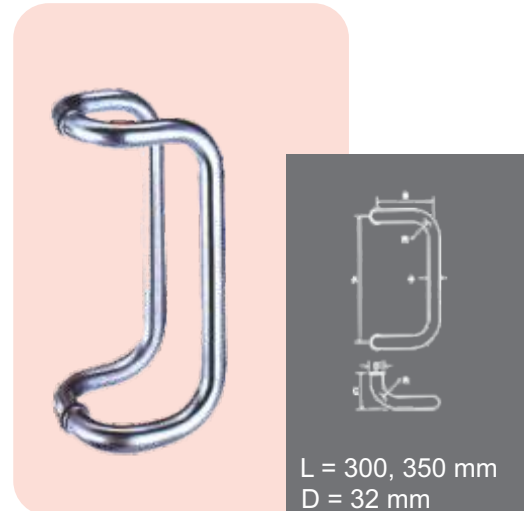
GD 9440 S.S, P.S



GD 9441 S.S, P.S



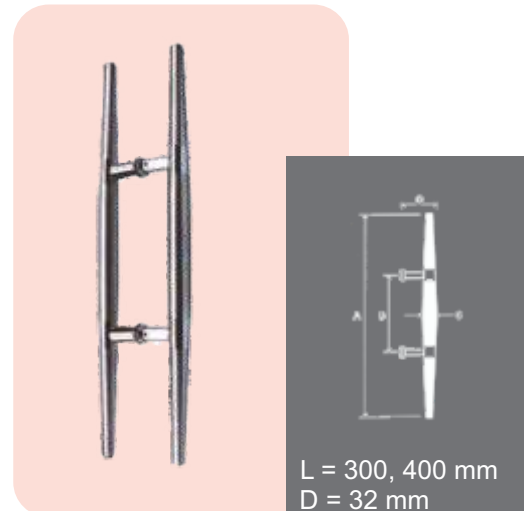
GD 9442 S.S, P.S



GD 9444 S.S, P.S

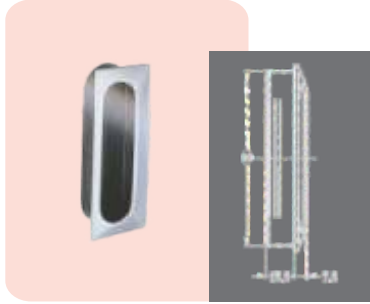


PH 241 S.S, P.S

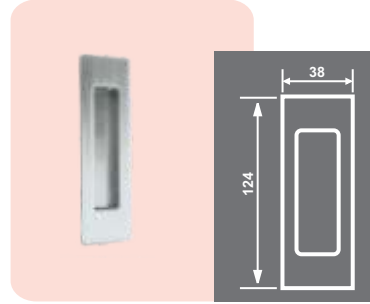


Note : Size are available by request

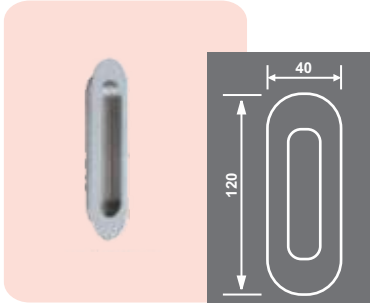
FH 105 S.S, P.S



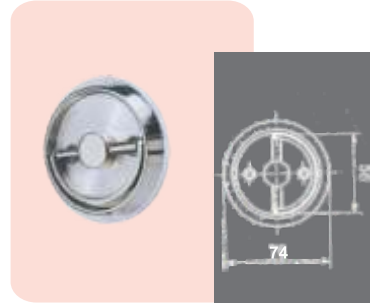
PH 216 S.S, P.S



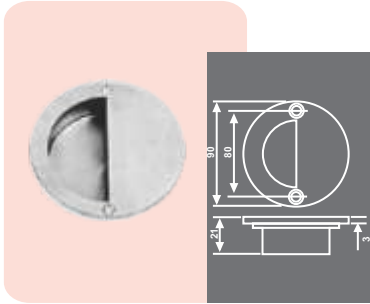
FH 506 S.S, P.S, P.BrS



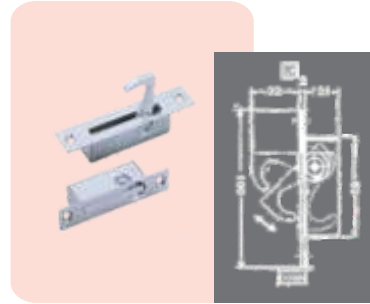
RH 8-3 S.S, P.S



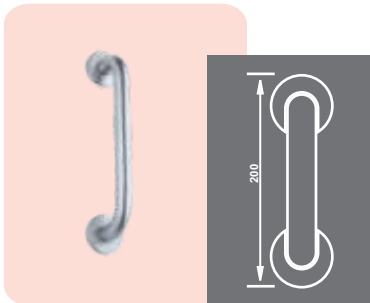
FH 556 S.S, P.S, P.BrS



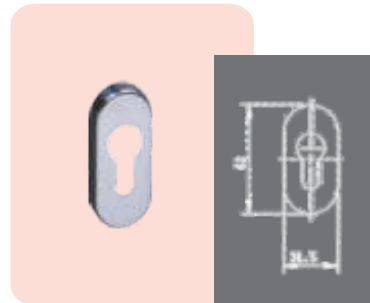
HP 100 S.S, P.S



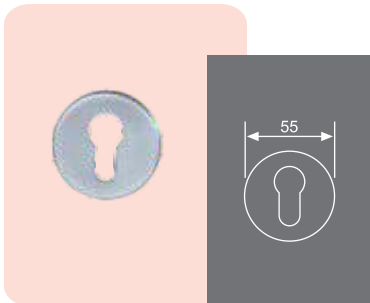
PH 308 S.S, P.S



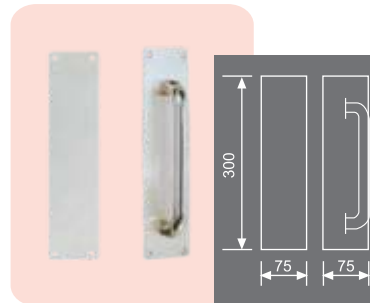
RK 952 S.S, P.S



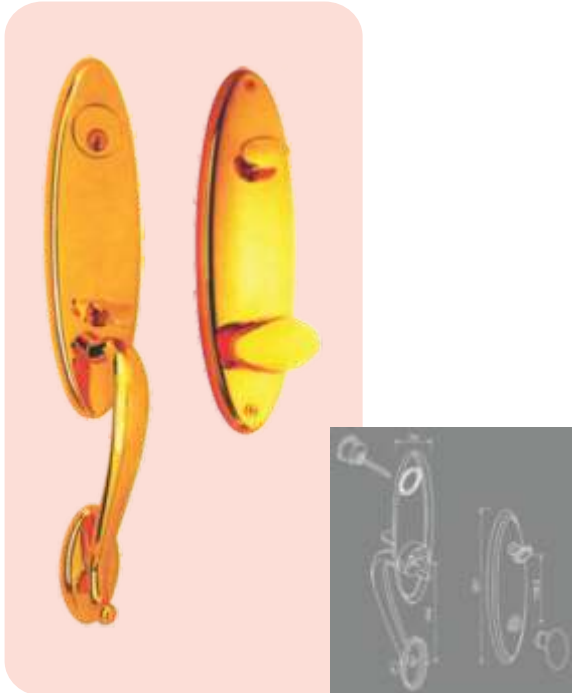
RK 901CK S.S, P.S



PP 8-1 / PP 8-2 S.S, P.S

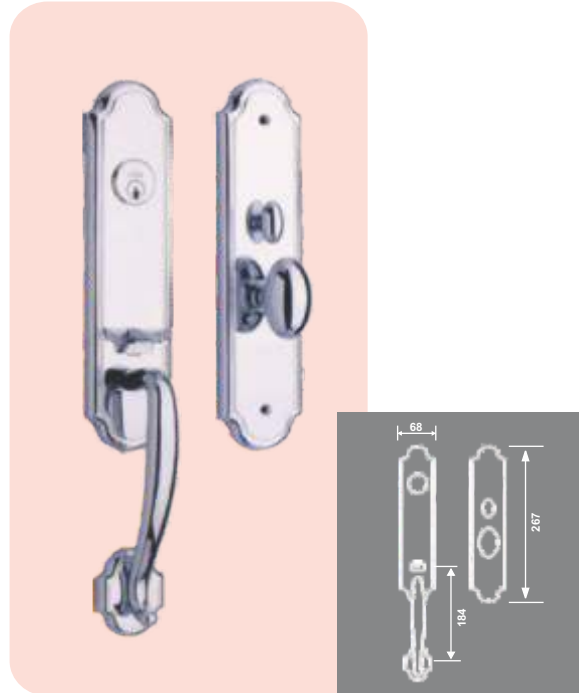


DC - 8006



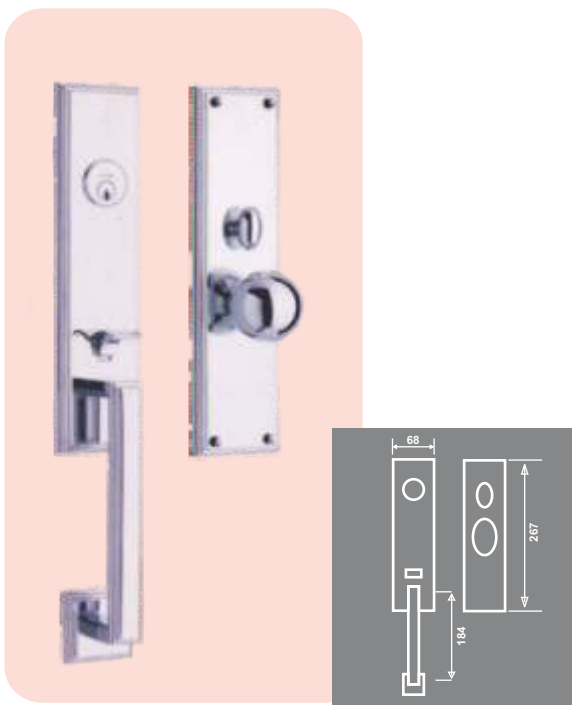
Finish : SS, P.S, P.Brs

DC - 8010



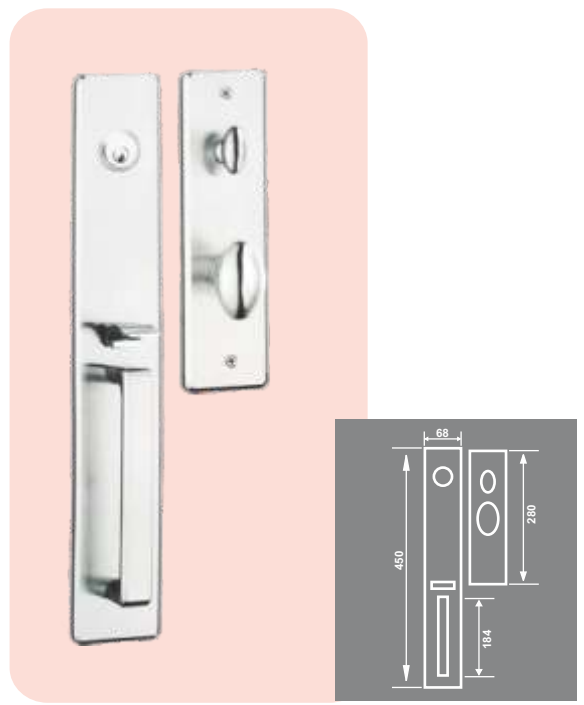
Finish : SS, P.S, P.Brs

DC - 8011



Finish : SS, P.S, P.Brs

DC - 8013



Finish : SS, S.N

STEEL & PANIC DOOR

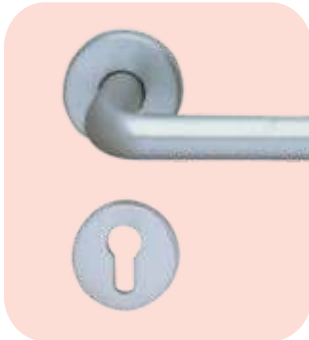


Our Safety

Trust Calfis to engineer a full range of loss prevention hardware options for exits and entries that need protections against theft, while also ensuring safe exit during emergency situations. Whether your application is a school, government institution, retail establishment, hospital, office buildings, industrial buildings, or restaurant, whether it's an indoor or outdoor location, whether it gets rugged use or light traffic, you can be confident when you choose Calfis.

LOCKSETS STANDARD DUTY

27306 DB SS



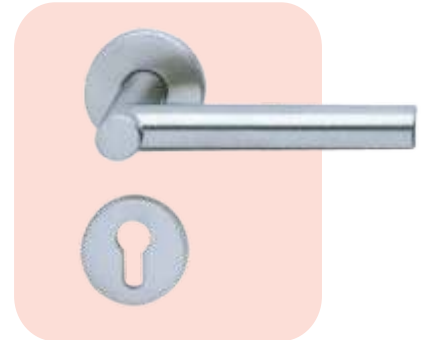
Lockcase : Calfis 17180.55 SS
Cylinder : Calfis 17140.62 Nickel
Handle : LH UL 306/22 SS

27314 DB SS



Lockcase : Calfis 17180.55 SS
Cylinder : Calfis 17140.62 Nickel
Handle : LH UL 314 SS

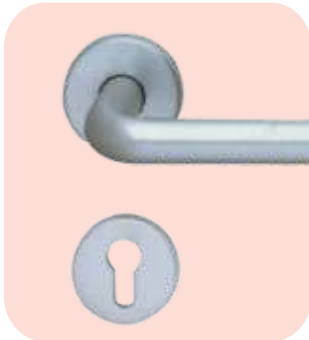
27318 DB SS



Lockcase : Calfis 17180.55 SS
Cylinder : Calfis 17140.62 Nickel
Handle : LH UL 318 SS

LOCKSETS MEDIUM DUTY

37306 DB SS



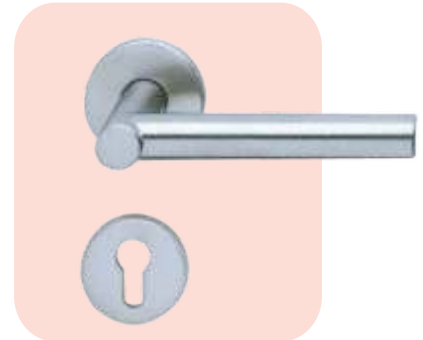
Lockcase : Calfis 17180.60 SS
Cylinder : Calfis 17140.70 Nickel
Handle : LH UL 306/22 SS

37314 DB SS



Lockcase : Calfis 17180.60 SS
Cylinder : Calfis 17140.70 Nickel
Handle : LH UL 314 SS

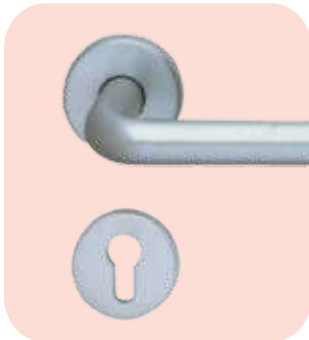
37318 DB SS



Lockcase : Calfis 17180.60 SS
Cylinder : Calfis 17140.70 Nickel
Handle : LH UL 318 SS

LOCKSETS HEAVY DUTY

47406 DB SS



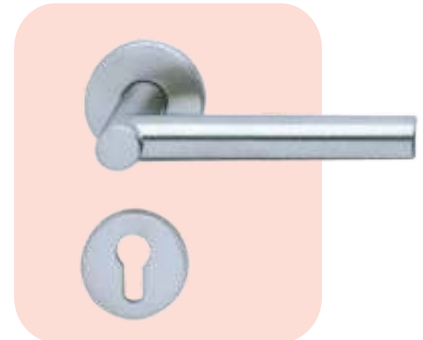
Lockcase : Calfis 17180.60 SS
Cylinder : Calfis 17140.70 Nickel
Handle : LH UL 406/22 SS

47414 DB SS



Lockcase : Calfis 17180.60 SS
Cylinder : Calfis 17140.70 Nickel
Handle : LH UL 414 SS

47418 DB SS

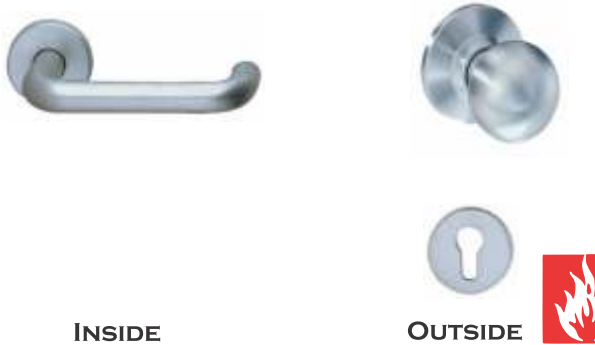


Lockcase : Calfis 17180.60 SS
Cylinder : Calfis 17140.70 Nickel
Handle : LH UL 418 SS



Panic Lever Handel Model

Single Entry System



Lockset DH 57406/855 HF SS

Double Entry System



Lockset DH 57406 HF SS

Panic Lever Handel Model

Vertical Panic Bar System



Lockset VPB 17003 BK SS

Cross Bar System



Finishing

-  **Stainless Steel**
-  **Gold**
-  **Green**
-  **Red**
-  **Silver**

Lockset CB 17001 BK SS

Push Bar System



Single Entry System



Double Entry System



Lockset CMP 401 SS



Panic System with Bar Panel

Single Entry System



Inside



Outside

Lockset DT 1700/855 HF BK SS



Double Entry System



INSIDE

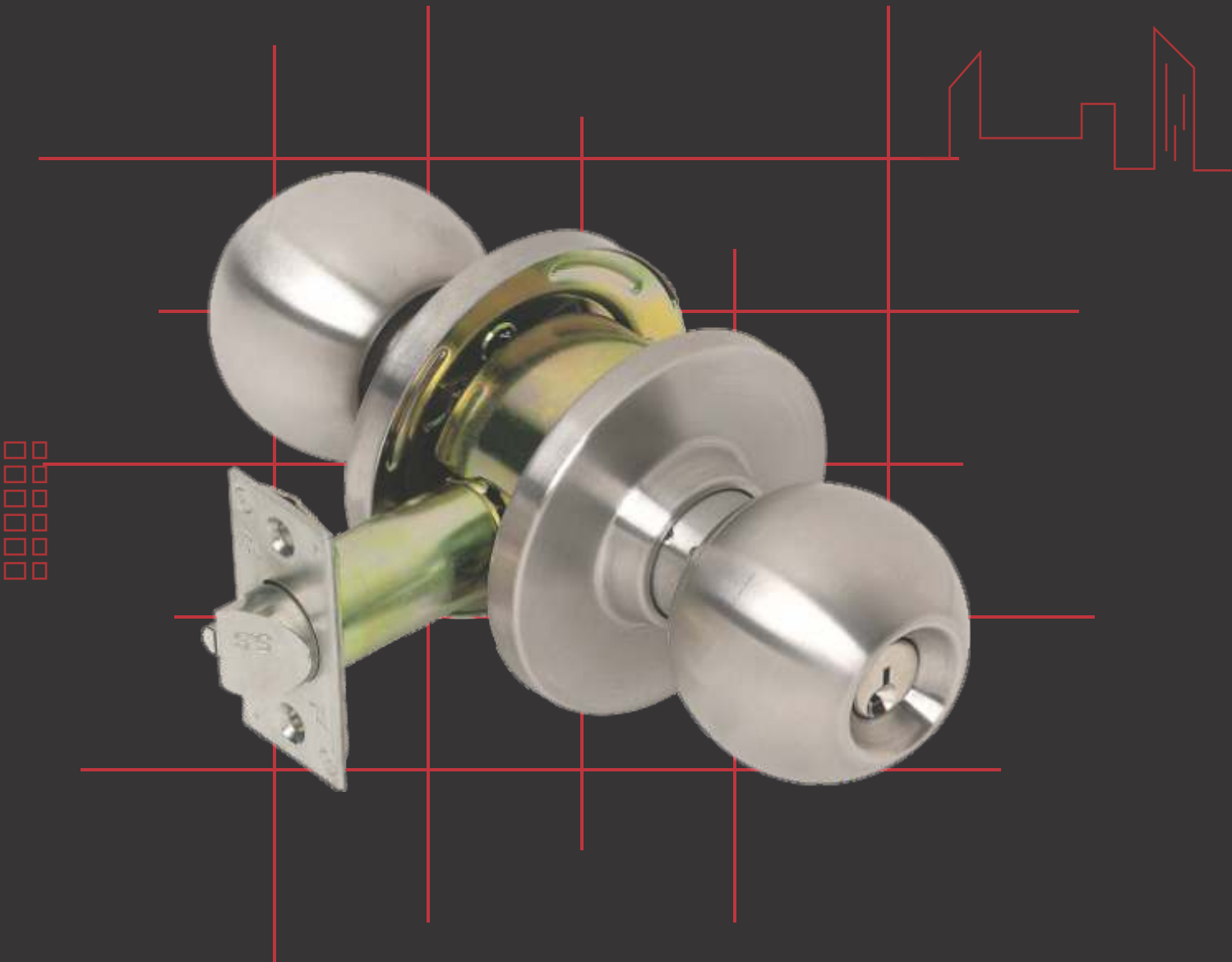


OUTSIDE

Lockset DT 1700/406 HF BK SS

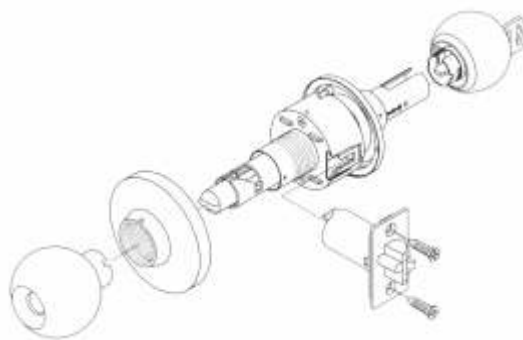
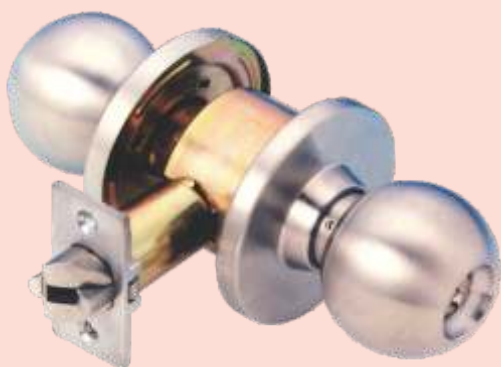
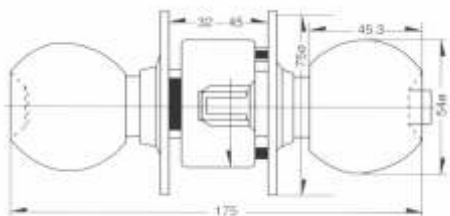


CYLINDRICAL LOCK



Our Trusted

for years now, Calfis products have been in demand all over the world, wherever quality, reliability, and safety are highly rated. The combination of functionality and design has endowed the worldwide recognition to the Calfis. We would like to take this opportunity to say how much we appreciate the trust Calfis products enjoyed throughout the world. We regard this as a challenge to meet the future requirements of our customers and of the market through continuous further development and demand oriented production.



FINISHING



Polished Brass










Satin Brass



Stainless Steel



Satin Stainless Steel

Model	Function	Outside Inside	Description
5702	Bathroom		Bathroom, Toilet Bedroom <ul style="list-style-type: none"> - Push button inside to lock the outside knob - Inside knob is always free to exit - Emergency release in outside knob
5707	Entry (single cylinder)		Entrance door, Office door <ul style="list-style-type: none"> - Inside knob is always free to exit - Push inside button to lock outside knob - Opened by knob when free - Opened by key outside when it is locked - Key retracts bolts & unlocks outside knob
5706	Entry (double cylinder)		Entrance door, connecting door <ul style="list-style-type: none"> - Opened by knob when free - Key inside locks & unlocks both knobs - Key outside locks & unlocks both knobs
5728	Connecting		Communicating door <ul style="list-style-type: none"> - Inside knob is always free to exit - Outside is a blank plate
5703	Patio		Patio door, Terrace door, Inner Office lock <ul style="list-style-type: none"> - Push inside button to lock outside knob - Inside knob is always free to exit - Closing door release locking - Opened by knob when free
855	Single Dummy		<ul style="list-style-type: none"> - Single trim , surface mounted
5720	Hotel		Hotel, Motel <ul style="list-style-type: none"> - inside knob is always free to exit - Push inside knob activates visual occupancy indicator, allowing only emergency master key to operate. - Turning the inside button provides lockout feature by keeping indicator thrown - Outside knob is rigid at all times - Opened by key outside only - Emergency key outside operates at all times

Tubular Deadbolts & Lever Set



TUBULAR DEADBOLTS

for Bathroom, Toilet Bedroom

- Push button inside to lock the outside knob
- Inside knob is always free to exit
- Emergency release in outside knob

DBS - 423



LEVER SET

for Bathroom, Toilet Bedroom

- Push button inside to lock the outside knob
- Inside knob is always free to exit
- Emergency release in outside knob

LWL - 1202

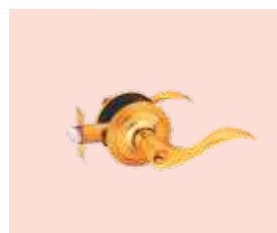


TUBULAR DEADBOLTS

for Entrance door, Office door

- Inside knob is always free to exit
- Push inside button to lock outside knob
- Opened by knob when free
- Opened by key outside when it is locked
- Key retracts bolts & unlocks outside knob

DBD - 425

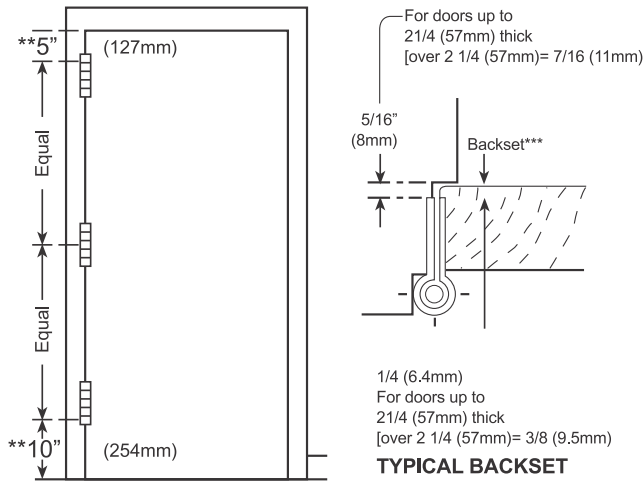


LEVER SET

for Entrance door, Office door

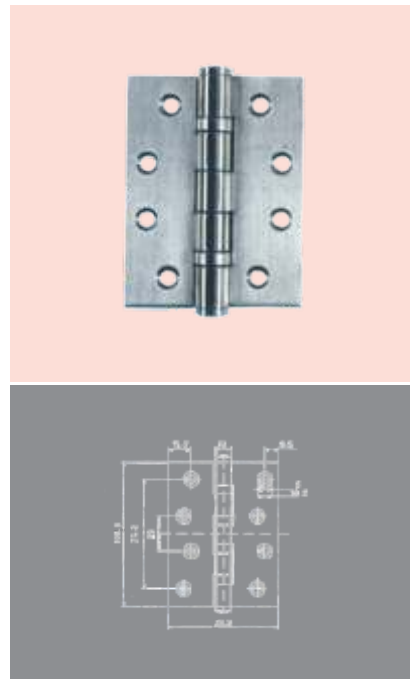
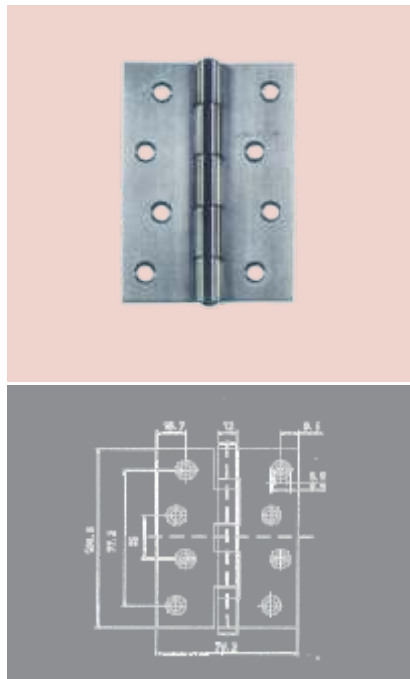
- Inside knob is always free to exit
- Push inside button to lock outside knob
- Opened by knob when free
- Opened by key outside when it is locked
- Key retracts bolts & unlocks outside knob

LWL - 1207



Feature

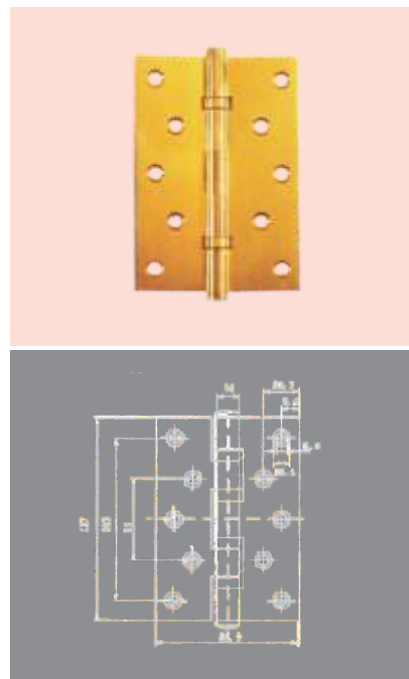
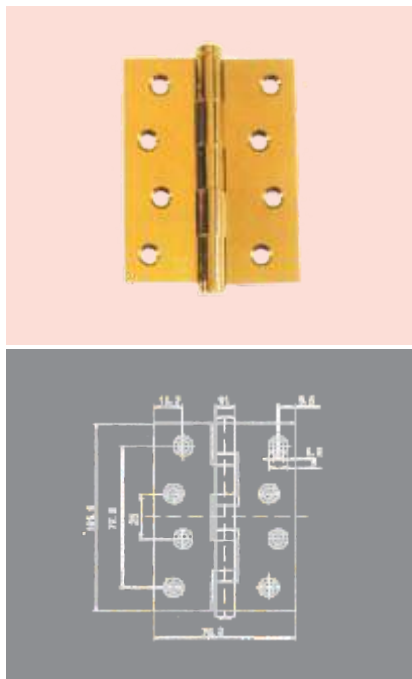
1. Top Architectural Stainless Steel Non Rust and Non Corrosive.
2. Plain or Housing Non-deteachable Ball Bearing Hardened Steel Racer & Loose Pin.
3. Hole in Bottom Tip for Insertion of Nail to Facilitated Easy Removal of Loose Pin.
3. Available in US-32D (Hairlane) or US-32 (Polished).



Article No.	Size Length x Withd	Gauge Thickness	Door Weight
Non BB	3 " x 2,5 "	2 mm	20 Kg
Non BB	4 " x 3 "	2 mm	30 Kg
2 BB	4 " x 3 "	2 mm	50 Kg
2 BB	4 " x 3 "	3 mm	70 Kg
2 BB	5 " x 3 "	3 mm	90 Kg

Feature

1. Top Architectural Grade Solid Brass Butt Hinge Clear Lacquered.
2. Plain or Housing Non-detachable Ball Bearing Hardened Steel Racer & Loose Pin.
3. Hole in Bottom Tip for insertion of Nail to Facilitated Easy Removal of Loose Pin.
3. Available in US-3 (Bright Brass) or US-4 (Satin Brass).



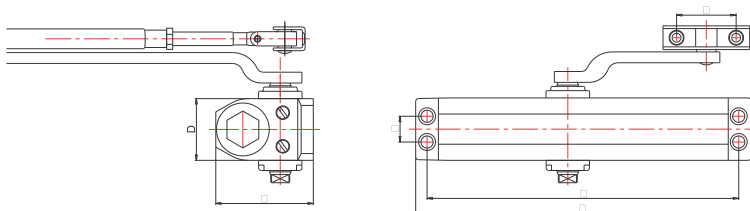
Article No.	Size Length x Width	Gauge Thickness	Door Weight
Non BB	4 " x 3 "	2 mm	35 Kg
2 BB	4 " x 3 "	3 mm	50 Kg
2 BB	5 " x 3 "	2 mm	70 Kg



Regular Arm

Hold Open

CFS 2000 SERIES

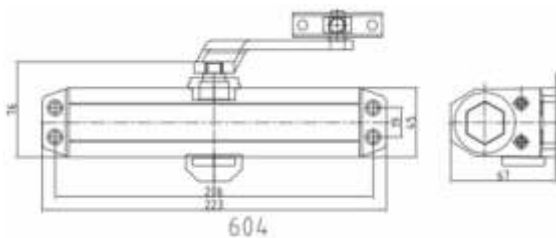


Art No.	Door Closer Power Size	Recommended Door Weight	Recommended Door Leaf Width
CFS 2002	EN 2	15 - 45 kg	850 mm
CFS 2003	EN 3	45 - 65 kg	950 mm
CFS 2004	EN 4	60 - 85 kg	1100 mm
CFS 2005	EN 5	85 - 120 kg	1400 mm
CFS 2006	EN 6	120 - 150 kg	1600 mm

Note : Finish in Silver & Brown



CFS 3000 SERIES



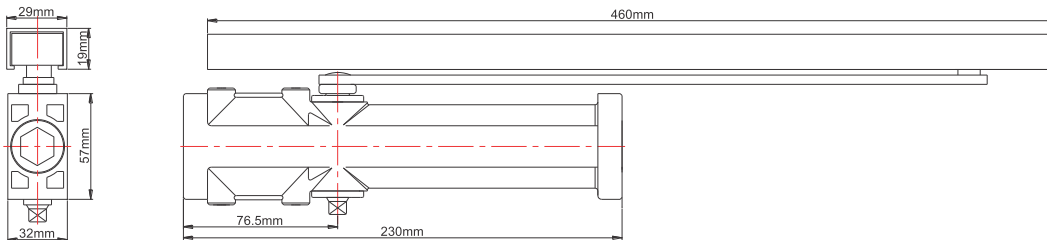
Art No.	Door Closer Power Size	Recommended Door Weight	Recommended Door Leaf Width
CFS 3001	EN 3	45 - 65 kg	1000 mm
CFS 3002	EN 4	65 - 85 kg	1200 mm
CFS 3003	EN 5	85 - 120 kg	1350 mm

FEATURE

1. Easy to install, Non-Handed
2. Universal application as standard
3. Superior engineering
4. Two valve adjustment to incorporate closing and latching speed
5. ANSI 156.4 Grade 1
6. C-UL US listed, Conforms to standards UL 10C and UBC7-22-1997
7. CE certified according to En1154 & En1634 standard
8. Needle bearing application
9. Die-Cast aluminum body and corrosion-resistant
10. Adjustable forearm
11. Optional parallel arm bracket
12. Optional back-check (BC)
13. Optional hold open arm
14. Optional drop plate
15. Optional plastic cover
16. 10 year guarantee

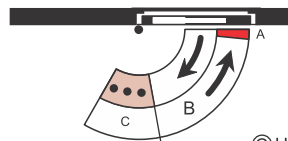


CFS 6000 SERIES



FEATURE

1. Cast Aluminum body, UL listed
2. Closing force Size 3
3. Non handed
4. Standard closing and latching
5. Standard hold open function
6. Standard and transom mounting
7. Finish: silver: others upon the request



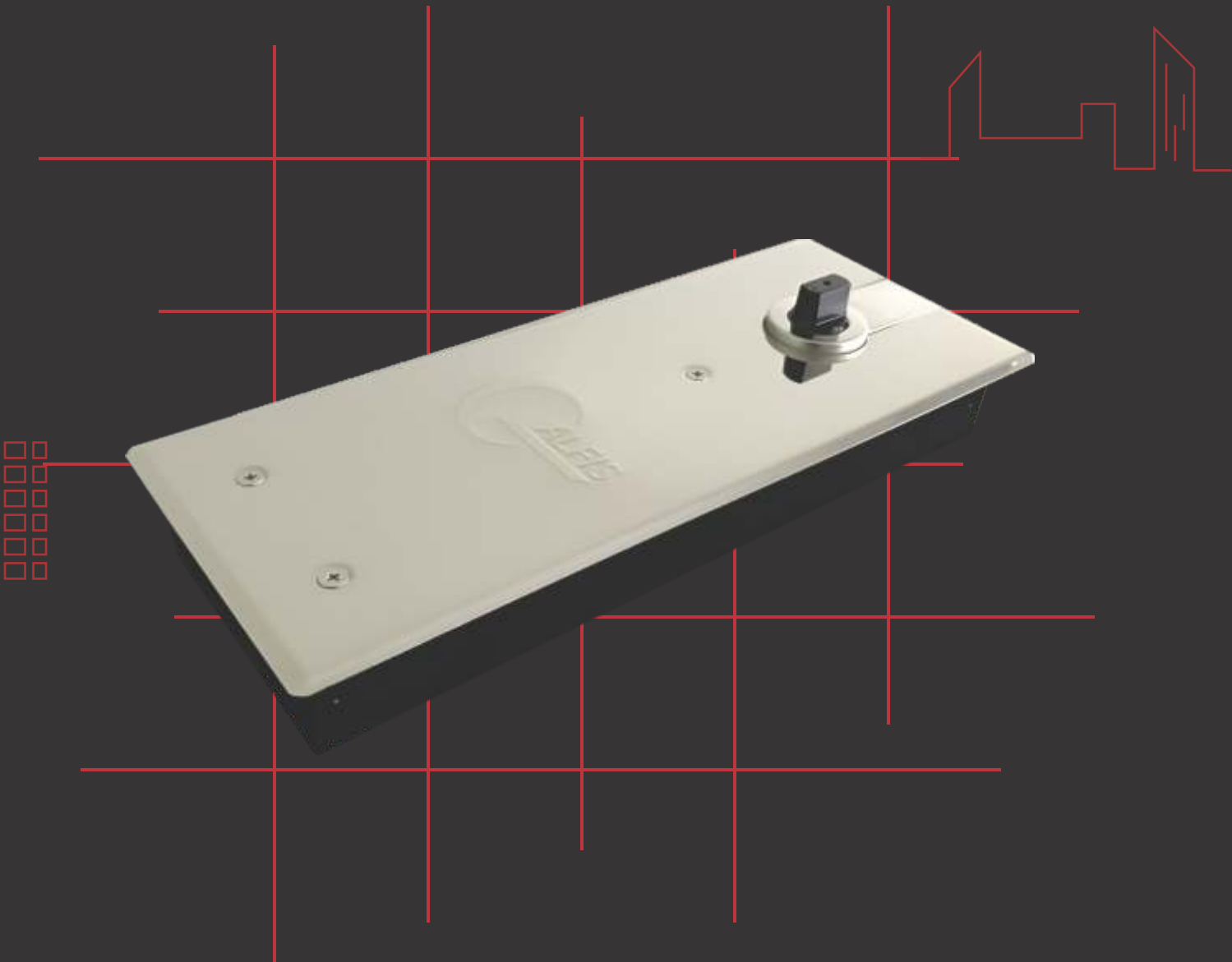
© HOLD OPEN RANGE

Ⓐ LATCHING RANGE Ⓑ CLOSING RANGE

Art No.	Closing Force	Max. Door Weight	Max. Door Width
CFS 6003	EN 3	65 kg	950 mm

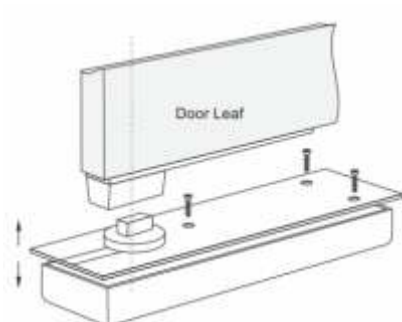
Note : Finish in Silver & Brown

FLOOR HINGES

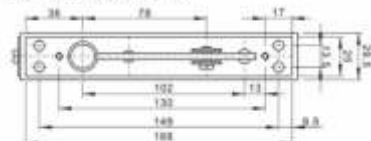


Our Durability

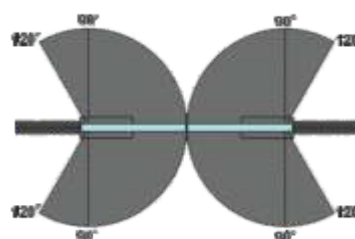
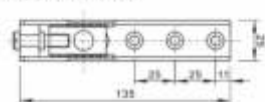
Our Hardware is engineered for superior durability, then field tested and proven to be reliable. It's design for easy installation, remains on the leading edge of industry trends and foverment regulations and corners backed with our strong reputation and war ranty. The hardware that matches your every need and budget, depend on Calfis, where we have been meeting or exceeding codes for life safety and security hard ware, where trust is built.



Adjustable top pivot upside



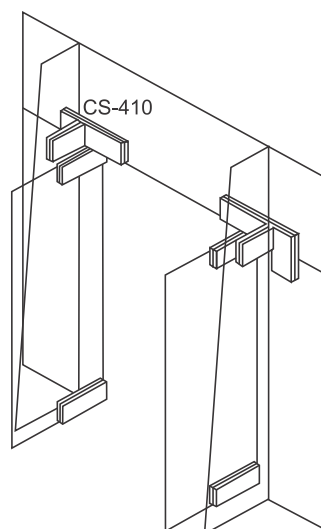
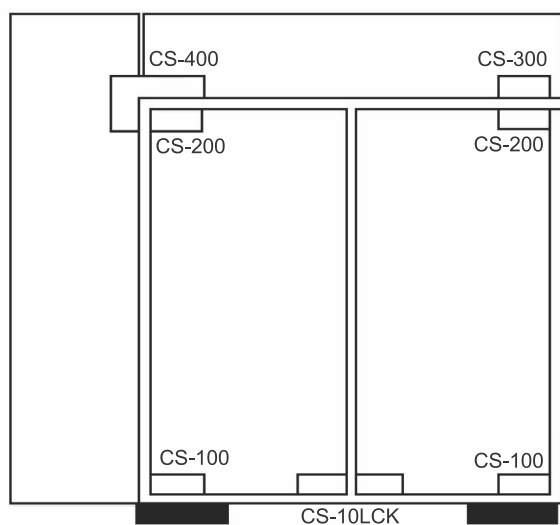
Top pivot downside



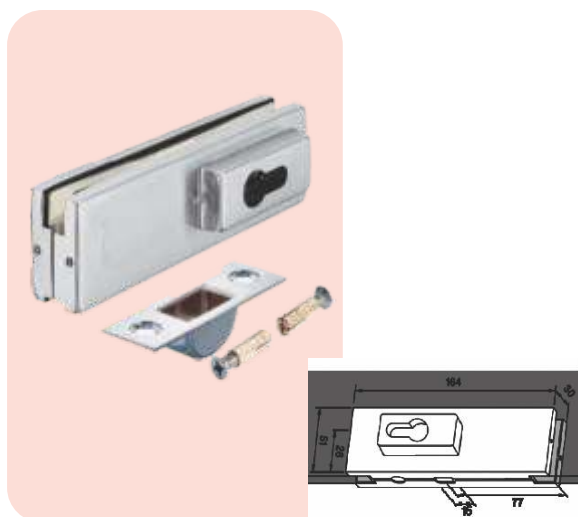
FEATURE

1. First adjusting closing in the range $130^{\circ} - 0^{\circ}$.
2. Second adjusting closing in the range $15^{\circ} - 0^{\circ}$.
3. Hold open at 90° (optional extra).
4. Hold open at 105° (optional extra).

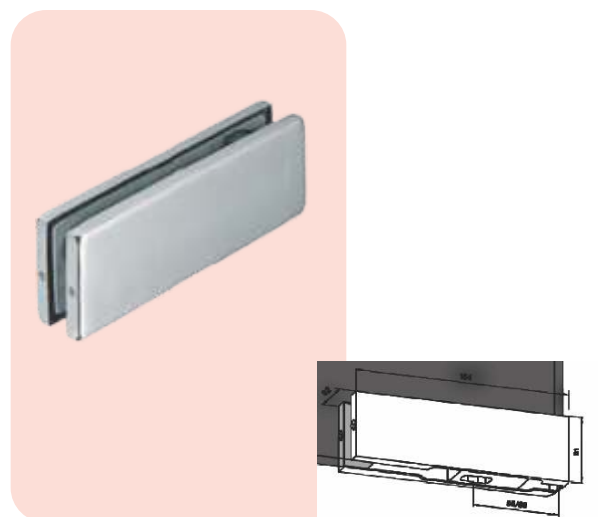
Article No.	Recommended Size (Length x Witdh)	Maximal Door Weight (Kg)
Type CS - 65	50 x 2.100	100
Type CS - 85	1.100 x2.400	120



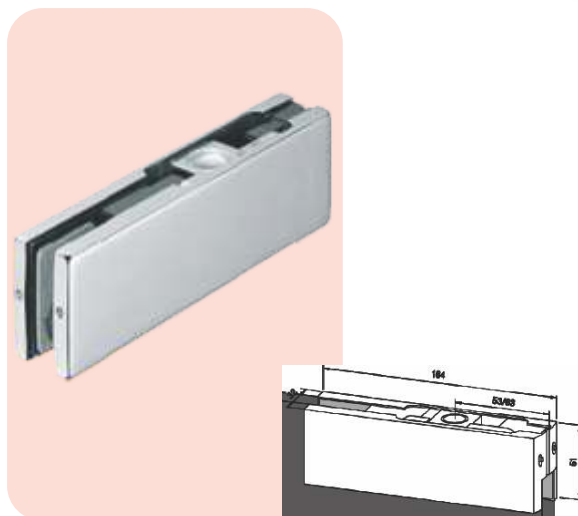
CS - 10LCK



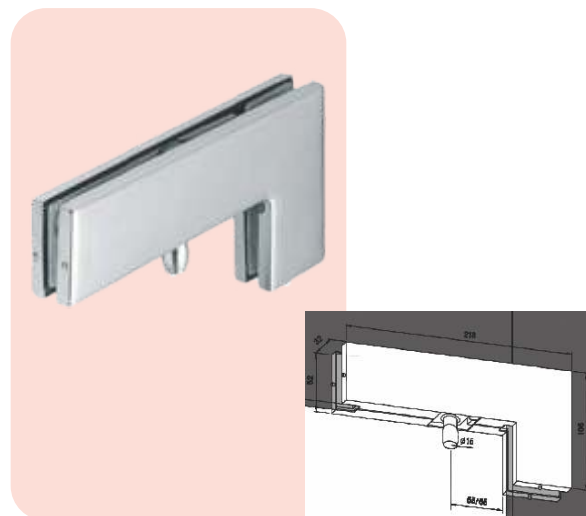
CS - 100



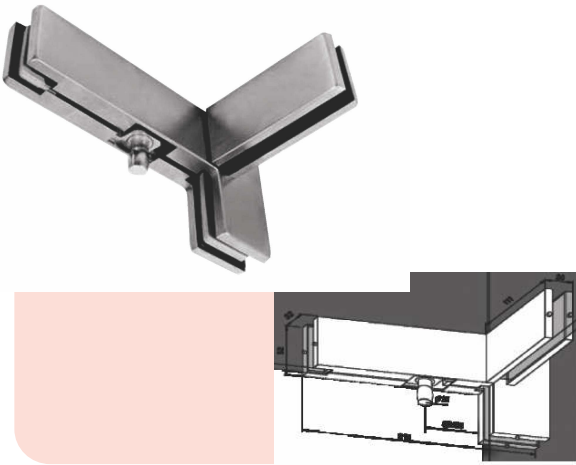
CS - 200



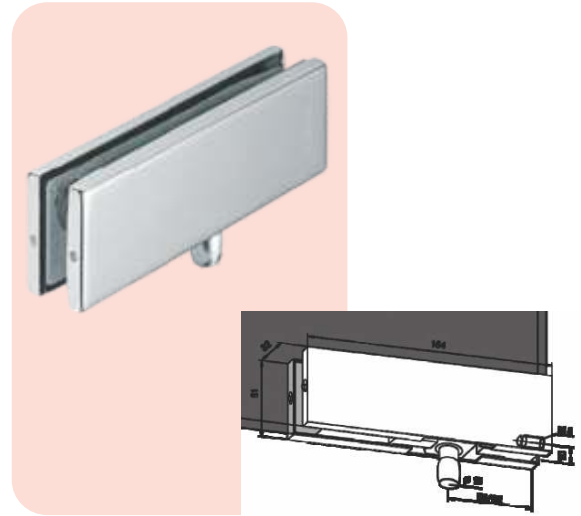
CS - 400



CS - 110

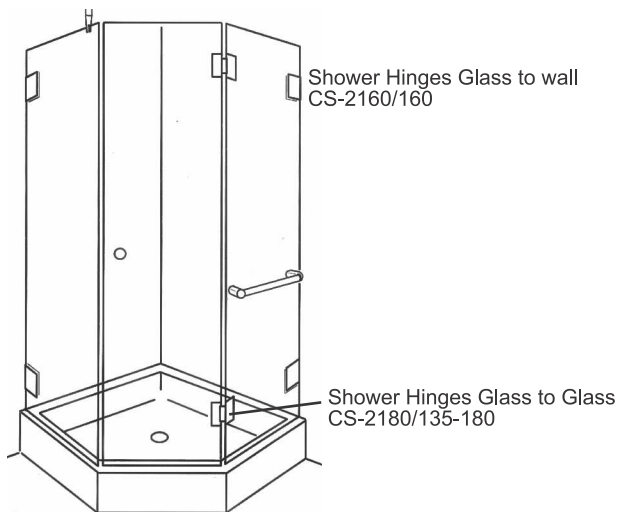


CS - 300

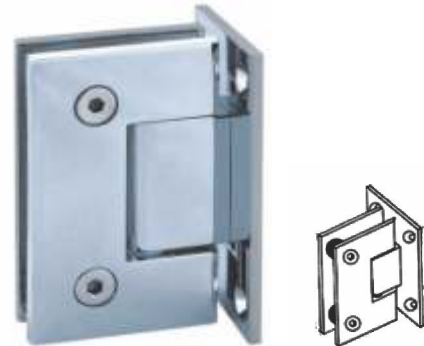


Note : Finish Polish Chrome

Shower Hinges



CS - 2160



CS - 2180

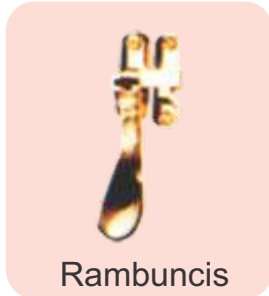


GD - 5050



Note : Finish Polish Chrome

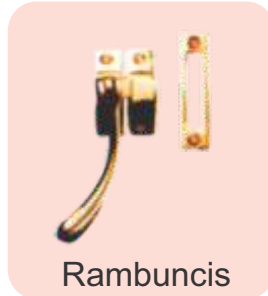
RB-116



Rambuncis

Finish : P.Brs

RB-117



Rambuncis

Finish : P.Brs

RB-118



Rambuncis

Finish : Silver, Brown, White

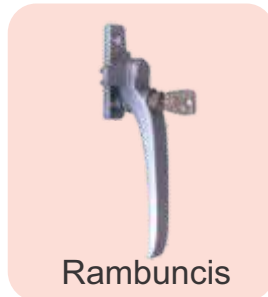
RB-119



Rambuncis

Finish : Silver, Brown, White

RB-120



Rambuncis

Finish : Silver, Brown, White

RB-121



Rambuncis

Finish : Silver, Brown, White

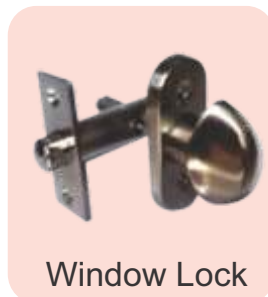
DL-542
DL-543



Shaft Lock

Finish : S.S

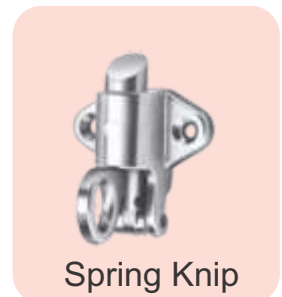
DC-108



Window Lock

Finish : S.N

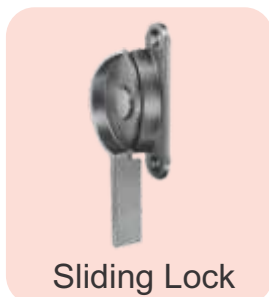
DC-317



Spring Knip

Finish : Silver, P.Brs

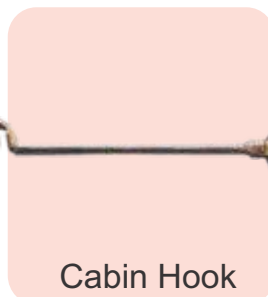
DC-320



Sliding Lock

Finish : Silver

CH-501



Cabin Hook

Finish : S.S, P.Brs

RB-401



Casement Stay

Finish : S.N, P.Brs

DS-601



Door Stop

Finish : S.N, P.Brs

DS-604



Door Stop

Finish : S.S, P.Brs

DS-607



Door Stop

Finish : S.S, P.Brs

DS-703



Door Stop

Finish : S.N

DS-728



Door Stop

Finish : S.N

DS-729



Door Stop

Finish : S.S, P.S

DCR-1000



Door Chain

Finish : S.S

DG-H28



Door Guard

Finish : S.N

DGC-004



Door Guard

Finish : S.S, P.Brs

DVT-180



Door Viewer

Finish : S.C, P.Brs

LV-904



Lavatory

Finish : S.S

IB-905



Indicator Bolt

Finish : S.S

FB 63A



Flush Bolt

Finish : S.N
Size : 150, 300, 600, 900 mm

FB456



Flush Bolt

Finish : Silver, Brown
Size : 250 mm

DPS-115

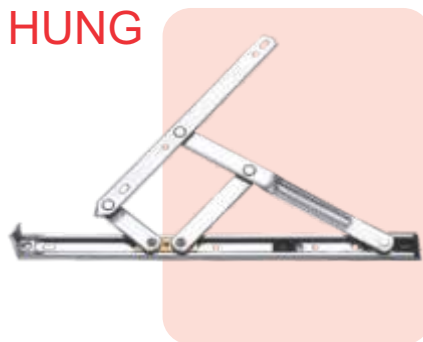


Dust Proof Strike

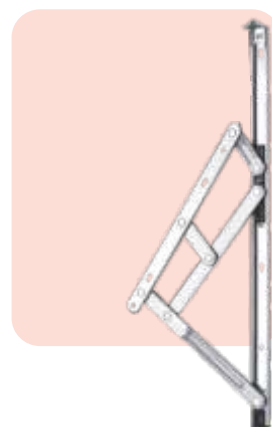
Finish : S.S, P.Brs



SIDE HUNG



TOP HUNG



Top Hung Gracia Style

Article No.	Hinge Thickness	Max Height	Max Width.	Max Weight
8"	2 mm	700 mm	700 mm	30 Kg
12"	3 mm	800 mm	800 mm	40 Kg
16"	3 mm	1200 mm	1200 mm	60 Kg
20"	3 mm	1400 mm	1400 mm	70 Kg
24"	3 mm	1500 mm	1500 mm	80 Kg
28"	3 mm	1500 mm	1500 mm	90 Kg
32"	3 mm	1800 mm	1800 mm	100 Kg

Side Hung Gracia Style

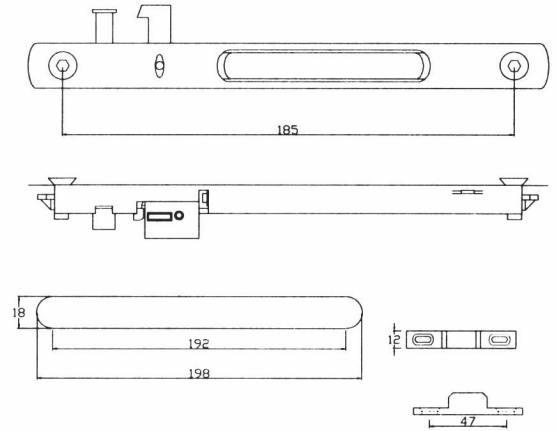
Article No.	Hinge Thickness	Max Height	Max Width.	Max Weight
ST 8"	3 mm	1000 mm	400 mm	30 Kg
ST 12"	3 mm	1000 mm	600 mm	40 Kg
ST 14"	3 mm	1000 mm	700 mm	50 Kg
ST 16"	3 mm	1000 mm	800 mm	60 Kg

Sliding Window

SL 201 Y



SL 202 Y



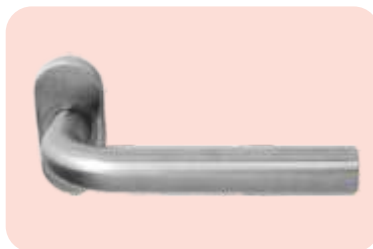
Finish : Silver, Brown, White

Aluminium Door Handle

LH 352 S.S, P.S



LH 353 S.S, P.S



LH 355 S.S, P.S



SUCOFINDO Certificate for Lever Handle Calfis

Certificate No. 31135GIBPAJ
Date: November 10, 2016

J. Arief Tat Cheong No. 1, Cikarang Selatan 17055, Indonesia
Phone/Fax: +62 21 86211560/1561
Email: info@sucofindo.co.id

REPORT OF ANALYSIS

The sample was submitted by client with the following identification:

CLIENT: SARANA ARTHA GRAHAWESGA, PT.
ADDRESS: Kav. Puri Blok A 21 No. 482, Rt. 015 Rm. 006, Jendral, Cilandak, Palangduren, JAKARTA BARAT 11480.

TYPE OF SAMPLE: LEVER HANDLE CALFIS ART LH UL 314 SS.

DATE OF RECEIVED: 29/10/2016.

TEST REQUIRED: Chemical Composition.

DESCRIPTION OF SAMPLE: Form: Spare part, Weight/Volume: ± 0.13 kg, Packing: Plastic bag.

SAMPLE IDENTIFICATION: -

DATE OF ANALYSIS: 29/10/2016 to 08/11/2016.

YOUR REFERENCE: -

Parameter	Unit	Results	Method
Aluminium (Al)	%	0.001	ASTM E 353-2006
Barium (Ba)	%	0.004	ASTM E 353-2006
Carbon (C)	%	Less than 0.001	ASTM E 353-2006
Copper (Cu)	%	0.237	ASTM E 353-2006
Chromium (Cr)	%	10.412	ASTM E 353-2006
Nickel (Ni)	%	0.114	ASTM E 353-2006
Magnesium (Mg)	%	Less than 0.001	ASTM E 353-2006
Manganese (Mn)	%	1.128	ASTM E 353-2006
Molybdenum (Mo)	%	0.016	ASTM E 353-2006
Phosphor (P)	%	0.008	ASTM E 353-2006
Lead (Pb)	%	0.004	ASTM E 353-2006
Antimony (Sb)	%	0.004	ASTM E 353-2006
Tin (Sn)	%	Less than 0.001	ASTM E 353-2006
Vanadium (V)	%	0.061	ASTM E 353-2006
Zinc (Zn)	%	0.088	ASTM E 353-2006
Silicon (Si)	%	0.282	ASTM E 353-2006
Carbon (C)	%	0.005	ASTM E 353-2006
Sulfur (S)	%	Less than 0.001	ASTM E 353-2006
Iron (Fe)	%	99.025	ASTM E 353-2006

CBT5061978189010-003

SUCOFINDO Certificate for Hinges Calfis

Certificate No. 31134GIBPAJ
Date: November 10, 2016

J. Arief Tat Cheong No. 1, Cikarang Selatan 17055, Indonesia
Phone/Fax: +62 21 86211560/1561
Email: info@sucofindo.co.id

REPORT OF ANALYSIS

The sample was submitted by client with the following identification:

CLIENT: SARANA ARTHA GRAHAWESGA, PT.
ADDRESS: Kav. Puri Blok A 21 No. 482, Rt. 015 Rm. 006, Jendral, Cilandak, Palangduren, JAKARTA BARAT 11480.

TYPE OF SAMPLE: HINGES CALFIS BE 4 X 3 X 3 MM SS.

DATE OF RECEIVED: 29/10/2016.

TEST REQUIRED: Chemical Composition.

DESCRIPTION OF SAMPLE: Form: Spare part, Weight/Volume: ± 0.35 kg, Packing: Plastic bag.

SAMPLE IDENTIFICATION: -

DATE OF ANALYSIS: 29/10/2016 to 08/11/2016.

YOUR REFERENCE: -

Parameter	Unit	Results	Method
Aluminium (Al)	%	0.001	ASTM E 353-2006
Barium (Ba)	%	0.004	ASTM E 353-2006
Carbon (C)	%	Less than 0.001	ASTM E 353-2006
Cobalt (Co)	%	0.244	ASTM E 353-2006
Chromium (Cr)	%	10.300	ASTM E 353-2006
Copper (Cu)	%	0.066	ASTM E 353-2006
Magnesium (Mg)	%	Less than 0.001	ASTM E 353-2006
Manganese (Mn)	%	1.202	ASTM E 353-2006
Molybdenum (Mo)	%	0.014	ASTM E 353-2006
Nickel (Ni)	%	0.466	ASTM E 353-2006
Phosphor (P)	%	0.031	ASTM E 353-2006
Lead (Pb)	%	0.004	ASTM E 353-2006
Antimony (Sb)	%	Less than 0.001	ASTM E 353-2006
Tin (Sn)	%	Less than 0.001	ASTM E 353-2006
Vanadium (V)	%	0.122	ASTM E 353-2006
Zinc (Zn)	%	0.064	ASTM E 353-2006
Silicon (Si)	%	0.423	ASTM E 353-2006
Carbon (C)	%	0.041	ASTM E 353-2006
Sulfur (S)	%	Less than 0.001	ASTM E 353-2006
Iron (Fe)	%	99.493	ASTM E 353-2006

CBT5061978189010-002

SUCOFINDO Certificate for Mortice Locks Calfis

Certificate No. 41255GIBPAM
Date: April 24, 2016

J. Arief Tat Cheong No. 1, Cikarang Selatan 17055, Indonesia
Phone/Fax: +62 21 86211560/1561
Email: info@sucofindo.co.id

REPORT OF ANALYSIS

The sample was submitted by client with the following identification:

CLIENT: SARANA ARTHA GRAHAWESGA, PT.
ADDRESS: Perumahan Ransana Naga 1 Blok D1 - 39, Jl. Teras Aries, JAKARTA BARAT 11600.

TYPE OF SAMPLE: LOCKCASE CALFIS ART L7180 SS SS.

DATE OF RECEIVED: 13/04/2016.

TEST REQUIRED: Chemical Composition.

DESCRIPTION OF SAMPLE: Form: Spare part, Weight/Volume: ± 160.13 g, Packing: Plastic bag.

SAMPLE IDENTIFICATION: -

DATE OF ANALYSIS: 13/04/2016 to 23/04/2016.

YOUR REFERENCE: -

Parameter	Unit	Results	Method
Aluminium (Al)	%	0.003	ASTM E 353-2006
Barium (Ba)	%	0.020	ASTM E 353-2006
Carbon (C)	%	Less than 0.001	ASTM E 353-2006
Cobalt (Co)	%	0.215	ASTM E 353-2006
Chromium (Cr)	%	10.215	ASTM E 353-2006
Copper (Cu)	%	0.204	ASTM E 353-2006
Magnesium (Mg)	%	Less than 0.001	ASTM E 353-2006
Manganese (Mn)	%	1.112	ASTM E 353-2006
Molybdenum (Mo)	%	0.034	ASTM E 353-2006
Nickel (Ni)	%	11.104	ASTM E 353-2006
Phosphor (P)	%	0.007	ASTM E 353-2006
Lead (Pb)	%	Less than 0.001	ASTM E 353-2006
Tin (Sn)	%	Less than 0.001	ASTM E 353-2006
Antimony (Sb)	%	Less than 0.001	ASTM E 353-2006
Vanadium (V)	%	0.047	ASTM E 353-2006
Zinc (Zn)	%	0.068	ASTM E 353-2006
Iron (Fe)	%	94.729	ASTM E 353-2006
Silicon (Si)	%	0.451	ASTM E 353-2006
Carbon (C)	%	0.019	ASTM E 353-2006
Sulfur (S)	%	Less than 0.001	ASTM E 353-2006

CBT500732152010-002

TUV Certificate for Fiction Stay Gracia

Test Report No. 5450746001/DL
dated 13 Sep 2007

See: This report is issued subject to TUV SÜD (PSE)'s Terms and Conditions Governing "Technical Services". The terms and conditions apply to the extent that they do not conflict with the report.

SUBJECT: Operation tests for 14 inch stainless steel fiction stay (model 2021-04) used on apartment window.

TESTED FOR: Tung Sing Metal Products Factory
77 E 6/F Tower 2, Convent Garden
88 Martin Road
Yuen Long N.T.
Hong Kong

TEST METHOD: In accordance with SS 212 : 2000 Specification for aluminium alloy windows.
Clause 10.2.2.1.1 & 10.2.2.1.2 - Ease of fastener operation
Clause 10.2.2.2 - Ease of movement of sash
Clause 10.2.2.3 - Release of jammed sash
Clause 10.2.2.4 - Release of jammed hinge
Clause 10.2.2.5 - Strength of maximum opening slope
Clause 10.2.2.7 - Endurance of fastener/hardware

DESCRIPTION OF SAMPLE:
One aluminium casement window with an overall size of 3015 mm (width) X 1300 mm (height) consisting of 4 casements was installed onto the test rig for operation tests.

Maximum opening of window : 80 degree
Size of casement sash : 176 mm (width) X 1230 mm (height)
Weight of sash : 28.7 kg
Thickness of glass : 14.75 mm
Model of fiction stay : GRACK (14")
Length of brace : 135 mm

DRAWING SUBMITTED: 1 sheet of fiction stay drawing

DATE OF SAMPLE RECEIVED: 01 Jul 2007

DATE OF TEST: 16 Aug 2007

CBT500732152010-002





Casa de Parco Apartment



Dukuh Golf Bougenville Apartment



Capitol Suite Apartment



Aston Imperium Pwokerto



Essence Dharmawangsa



Elpis Residence



Woodland Apartment



Grand Komala Lagoon Apartment



Seafront Ancol



Kuningan City



Pejaten Park Apartment



West Vista Apartment