

brio.com.au



Brio® where ideas unfold

Brio® Weatherfold

Exterior bottom-rolling door hardware systems for folding panels up to 75kg

Brio® where ideas unfold

Watch your adventurous architectural ideas unfold into exciting reality with the Brio range of sliding and folding door hardware.

Brio is passionate about shaping the spaces in which people live, work and play. With subsidiaries in the UK, and USA – Brio is recognised by architects worldwide as a leading design and manufacturing company.

Brio's R&D department brings a strong design element to the business, developing and testing ground breaking concepts that continue to be at the forefront of the industry.

So it's no surprise our name Brio translates to Energy, Spirit and Vitality – the core values that drive us to always discover new solutions for our customers.

We are committed to the continuous improvement of quality. That is why Brio, located in Sydney, is certified to Quality Management System AS/NZ ISO 9001:2008.

Brio, part of the Allegion family of brands







Stunning indoor/outdoor spaces

Whether it's entertaining family and friends or hosting your most valued customers, Brio brings a stylish edge when it comes to using space more efficiently.

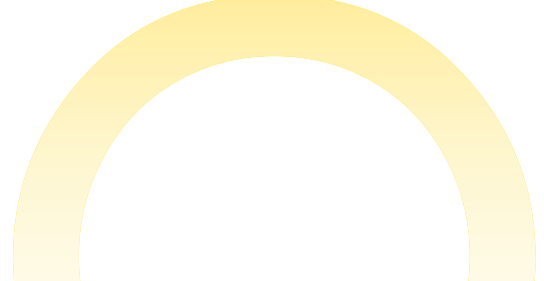
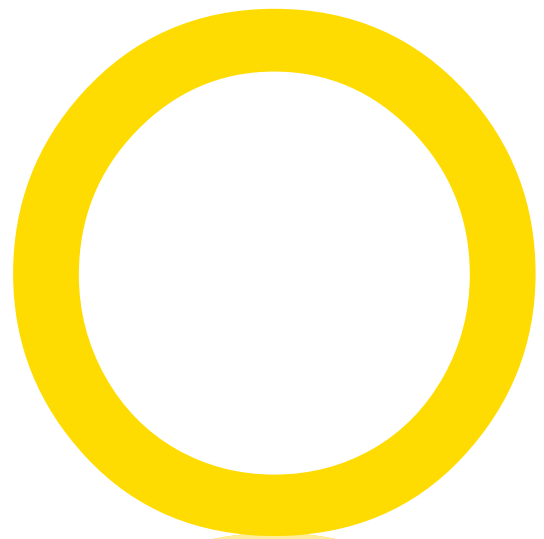
Exterior folding doors are without a doubt the new vogue in indoor/outdoor living today. Whether you need to connect or partition an outdoor area; exterior folding doors open and close effortlessly, and stack unobtrusively to create wide open vistas.

Brio's Weatherfold series has long been recognised as the architectural standard in exterior folding door hardware. Designed Brio Weatherfold is trusted by major window and door manufacturers.

We work closely with these manufacturers to develop innovative solutions that work harmoniously with their products in residential and commercial applications.

After generations of Weatherfold across the decades, we are proud to announce the addition of bottom-rolling hardware system to our exterior folding range:

Brio® Weatherfold





Brio® Weatherfold

Exterior bottom-rolling door hardware system for folding panels up to 75kg

Brio Weatherfold 4c system eliminates the need for a reinforced structural beam above the opening, as all the doors weight is carried by bottom rollers.

Bottom-rolling type systems are particularly favoured by architects, as the absence of the restricting top beam also means there is more room for design creativity.

Designed to handle timber, aluminium and composite panels up to 75kg with precision and ease, this innovative new Brio hardware system creates openings up to 3.3m high and 16m wide, with up to 8 equal size panels folding seamlessly in each direction,

Brio Weatherfold 4c product family is more than just a combination of individual hardware parts - it is a carefully designed system, with all features working in unison to create an incredibly functional and elegant system that our customers have come to expect from Brio.

Corrosion resistance

Weatherfold 4c has completed extensive corrosion resistance tests conducted in an industry standard salt spray chamber.

Weatherfold 4c uses the highest quality corrosion resistant materials. All components are constructed using 300 series stainless steel, with the cast items in 316 grade.

Brio is one of only a few global companies to passivate all visual stainless steel surfaces and electro-polish all cast stainless components. These processes greatly reduce and eliminate surface discolouration often referred to as 'tea-staining'.

The Weatherfold 4c premium finishes of Satin Stainless and Polished Stainless provide another level of protection from the elements and further enhance the system's durability.

Backed by our 10 Year Warranty

Brio Weatherfold 4c uses only the highest quality materials and is the culmination of countless hours of research and development and rigorous product testing.

Therefore, Brio is pleased to offer a 10 year warranty on all Weatherfold 4c Hardware. Refer to our web site for details.

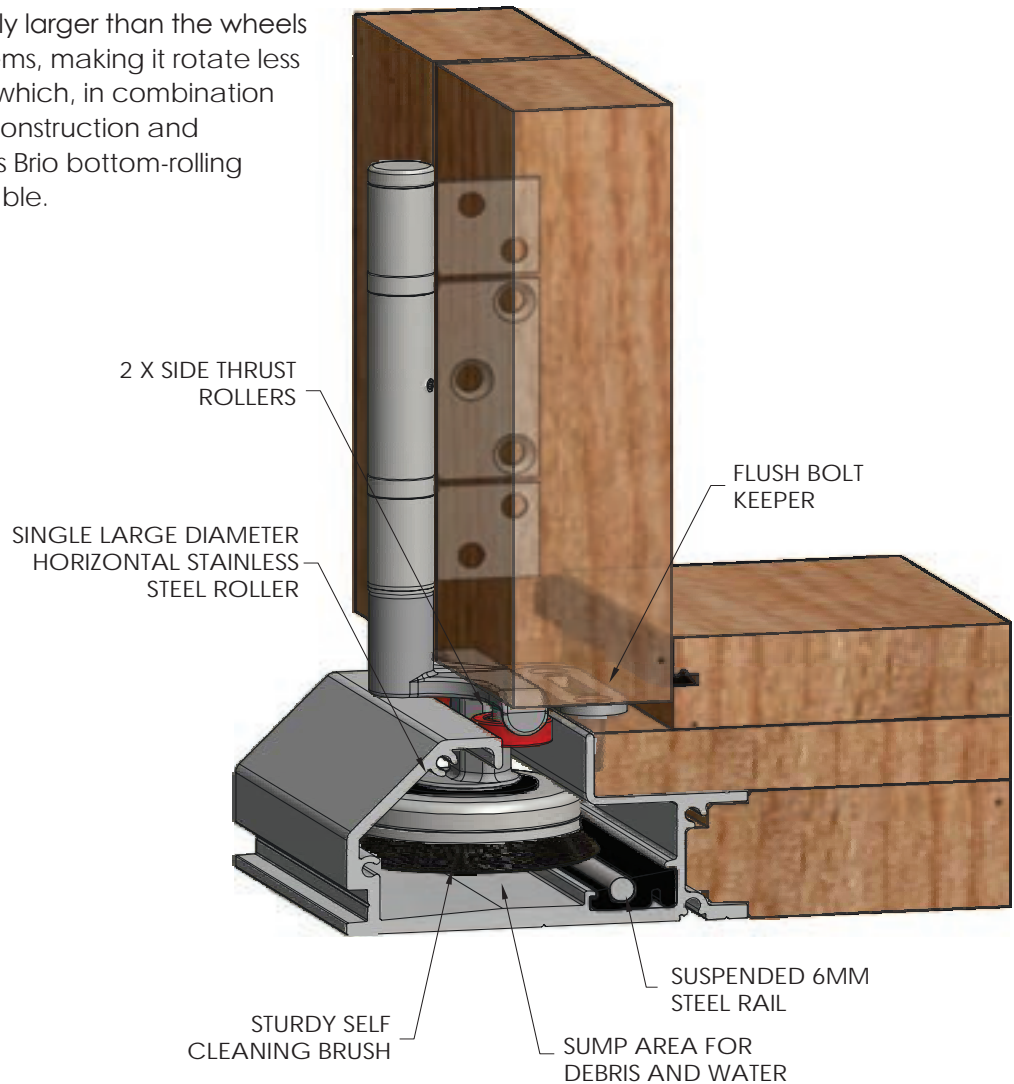


System Design Features

Evolutionary Bottom Roller Construction

Unlike other bottom-rolling folding door systems that use multi-wheel rollers, Brio Weatherfold 4c has an innovative large horizontal bottom roller design. The advantage of this unique system is that it is noticeably smoother and quieter to operate even at its maximum weight capacity.

The Brio roller is significantly larger than the wheels usually used in other systems, making it rotate less over the same distance, which, in combination with its full stainless steel construction and precision bearings, makes Brio bottom-rolling hardware extremely durable.



Self-Cleaning System

What makes Weatherfold 4c system really stand out is its innovative self-cleaning technology (Patent Pending). A brush attached to the rim of the horizontal roller sweeps and cleans the rail, as the door traverses across the opening.

The roller runs on a raised stainless steel rail, a design feature that makes any debris incredibly difficult to balance on it and further aids with removing dust and particles out of rollers' way.

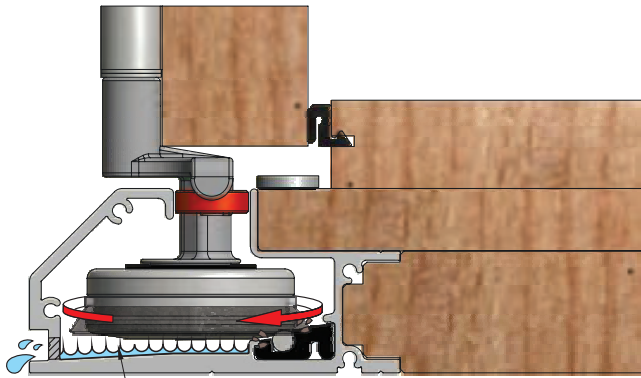
The single point contact architecture between the roller and the rail ensures the panels always run along a clean track and the system's operation remains uncompromisingly smooth and comfortable.

Self-Draining Sill

Brio self-draining 980 Sill is specifically designed for Brio Weatherfold 4c bottom rolling folding door system and provides an efficient and convenient solution for floor-channel drainage.

The sill incorporates a large sump area underneath the track for collection of unwanted debris. Water drains out of the channel through predrilled slots at the front of the sill, taking the debris with it and emptying it every time water runs through it.

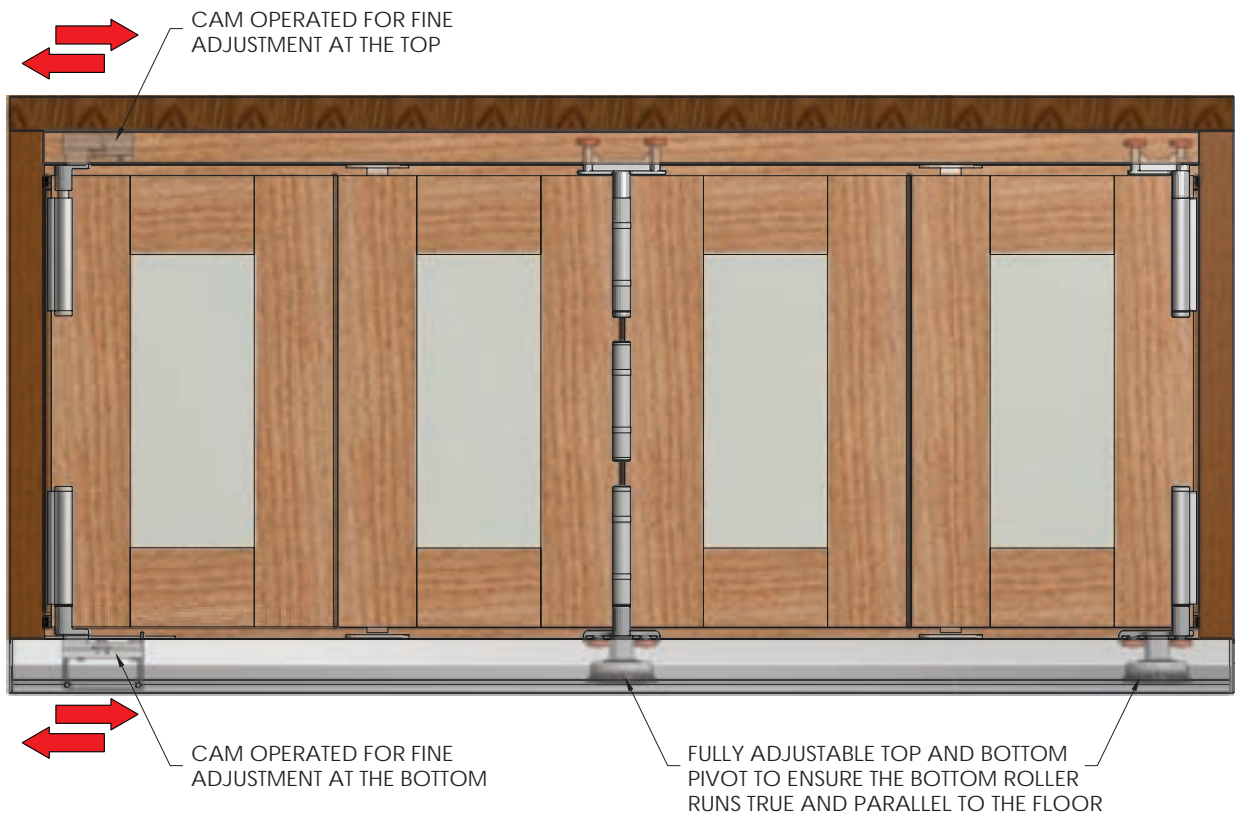
The sill is also designed to aesthetically conceal the bottom roller out of sight, but leave enough access area for effective cleaning and maintenance from outside when required, which greatly prolongs the life of the system, allowing you to enjoy the comfort of your stylish folding doors hassle-free.



SUMP AREA FOR DEBRIS AND WATER

Perfect Installation

Both top and bottom pivots can be easily and accurately adjusted laterally via provided hex keys. This design feature ensures that the panels always follow the contour of the sill perfectly.





Accessories

Flushbolts

Brio Flush Bolts are a stylish locking solution. They feature a low profile design that minimizes the depth of the rebate and retains the strength of the wood. Brio Flush Bolts come in a range of lengths from 190mm to 1000mm.

882 Magnetic Catch

The 882 Magnetic Catch enables the access swing door to be attached to the adjacent panel. It is made to match the sizes, radii and finishes of Brio Flush Bolts and Flush Pulls.

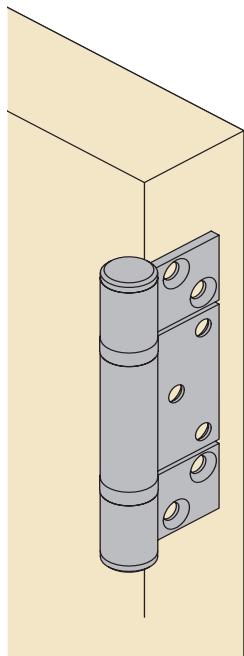
189 Jamb Pivot

This discreet width adjustable product is an optional accessory that helps keep the pivot door parallel to the frame.



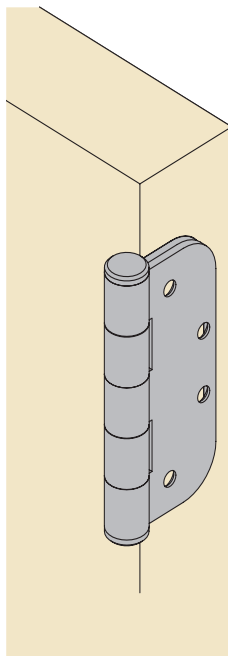
Hinge options

Brio Weatherfold 4c 75 range consists of 3 hinge options to suit a wide spectrum of applications.



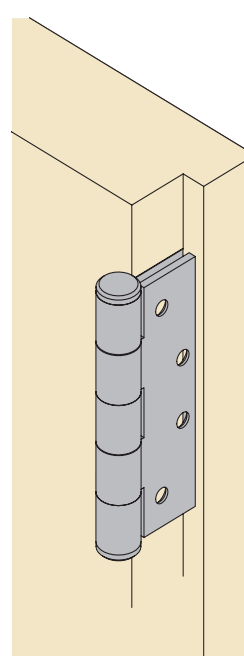
Non Mortice Hinge

- Surface mounted.
- Highly versatile. Suitable for timber panels and aluminium panels.
- Accommodates panels 35-68mm thick. Shown above on a 40mm thick panel.
- Hinge size: 100mm high x 66mm wide x 3mm thick.



Mortice Radius Corner Hinge

- The Contemporary Look.
- Suitable for modern manufacturing processes and routers.
- Accommodates panels 44-68mm thick. Shown above on a 45mm thick panel.
- Hinge size: 100mm high x 80mm wide x 3mm thick.



Mortice Square Corner Hinge

- The Classic Look.
- Provides the traditional straight-edge look of timber joinery.
- Accommodates panels 35-68mm thick. Shown above on a 40mm thick panel.
- Suitable for rebated panels down to 35mm thickness.
- Hinge size: 100mm high x 66mm wide x 3mm thick.

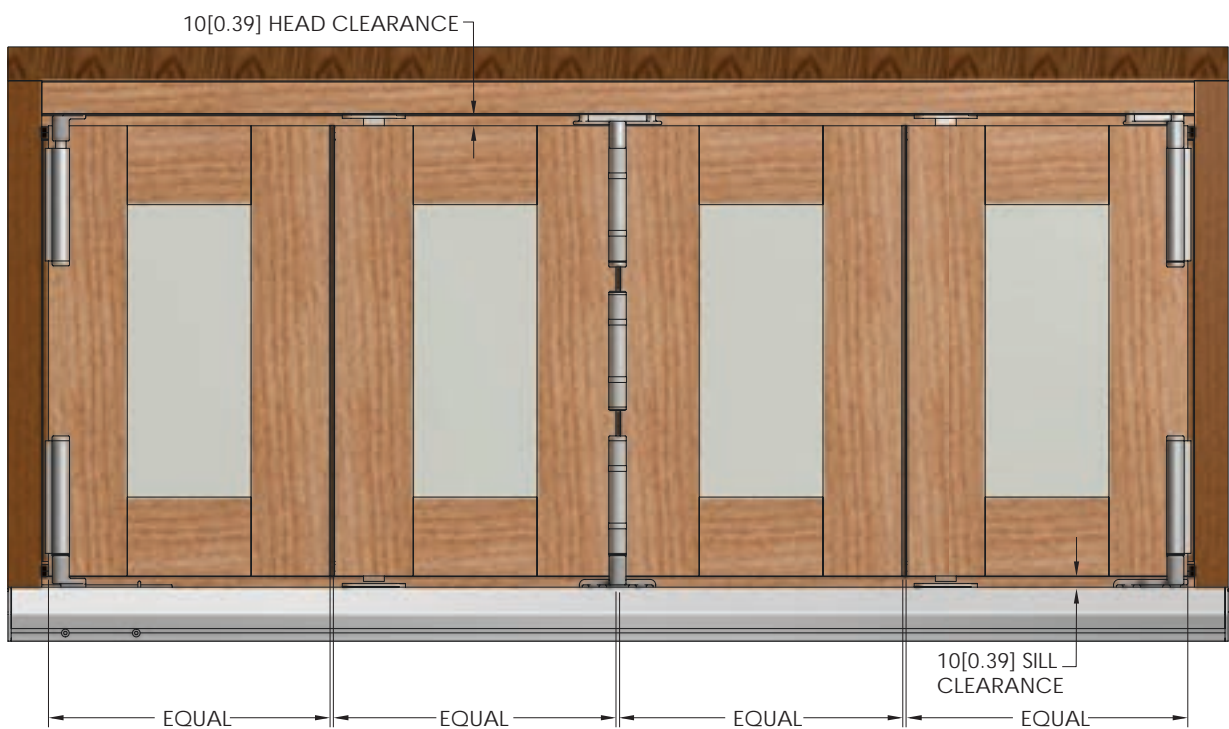
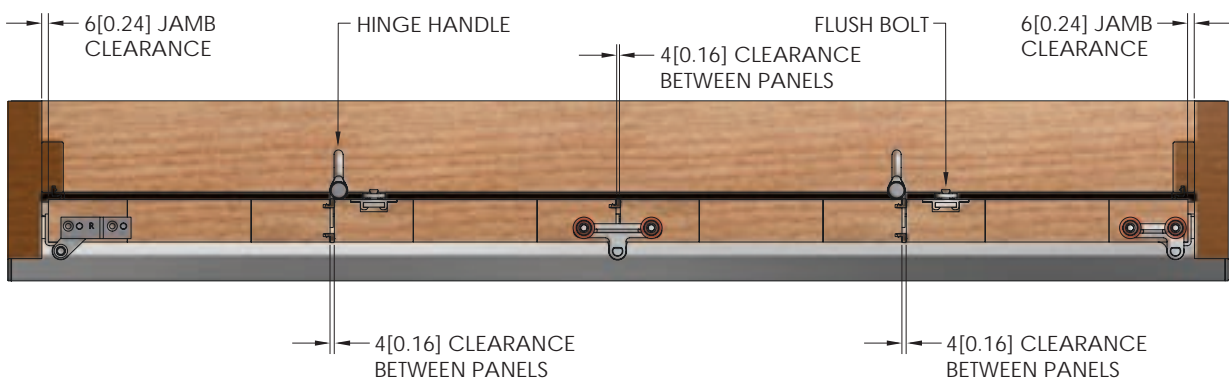
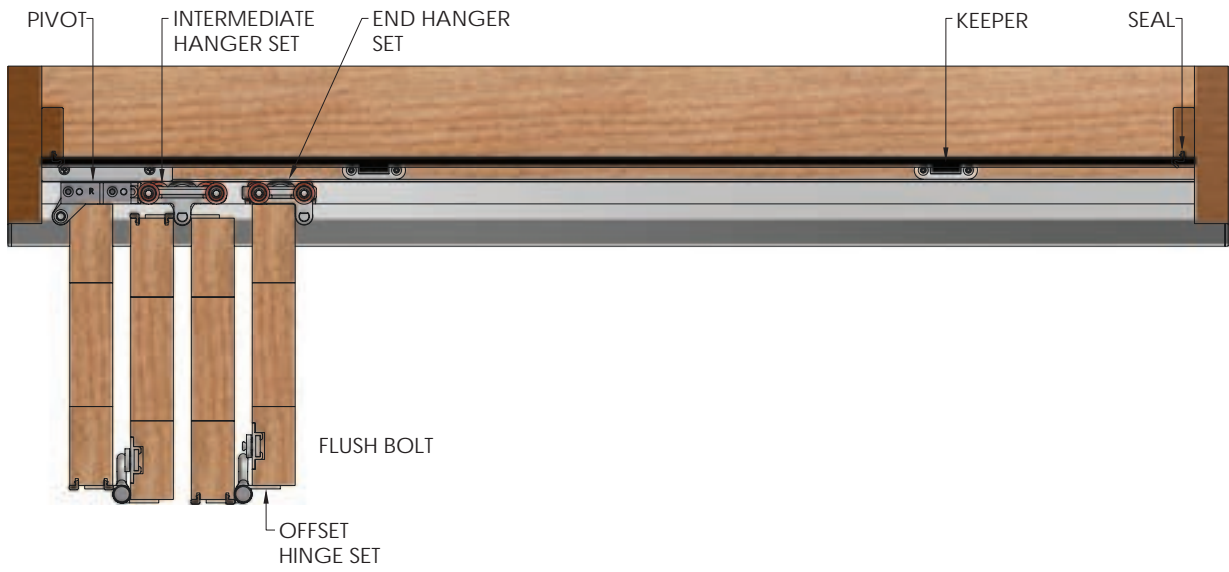
Architectural Details

Hardware Layout – Non Mortise Hinges



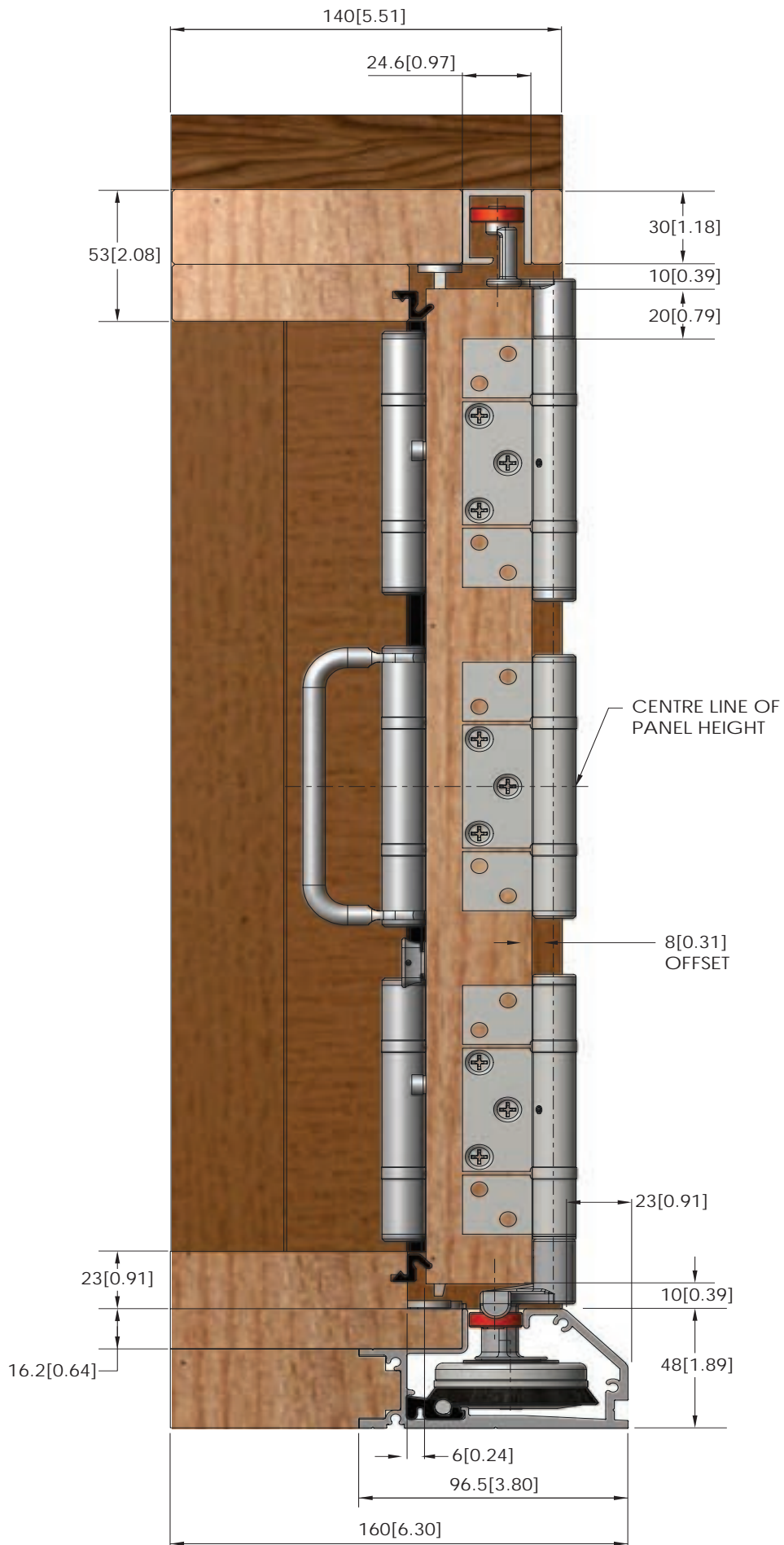
Architectural Details

Top and Front Views – Non Mortice Hinges



Architectural Details

End View – Non Mortise Hinges



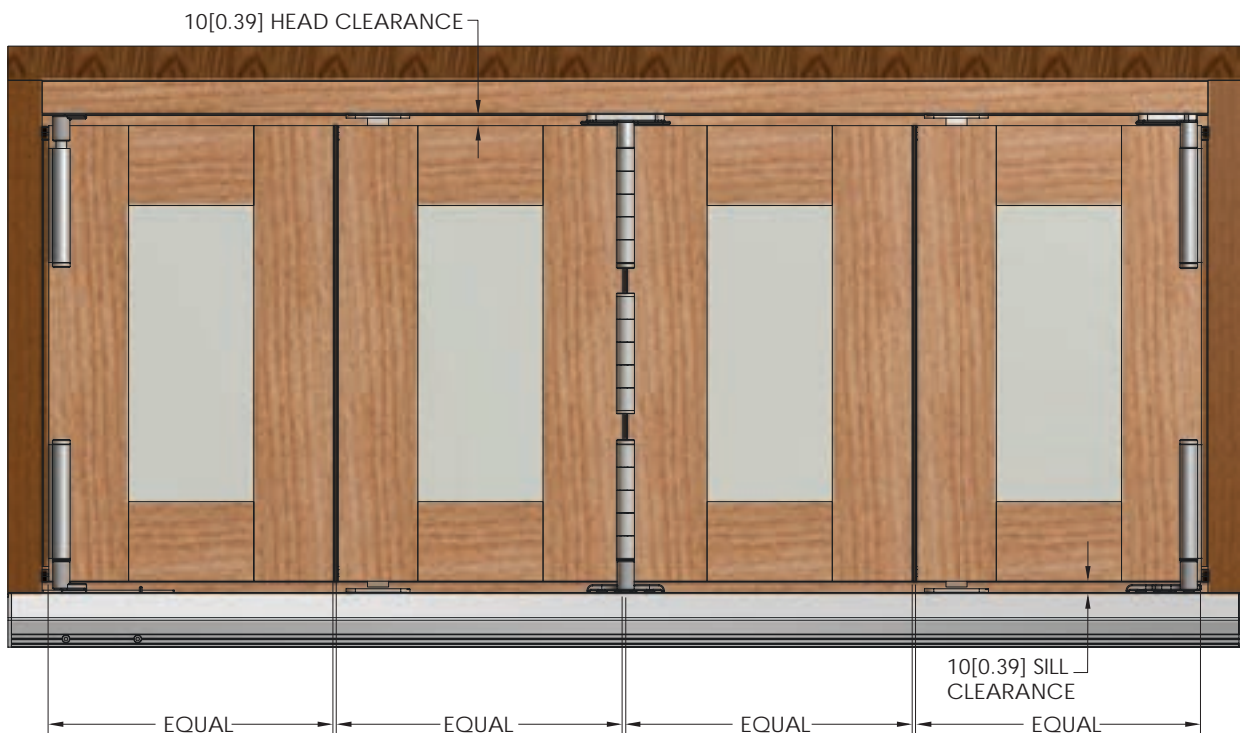
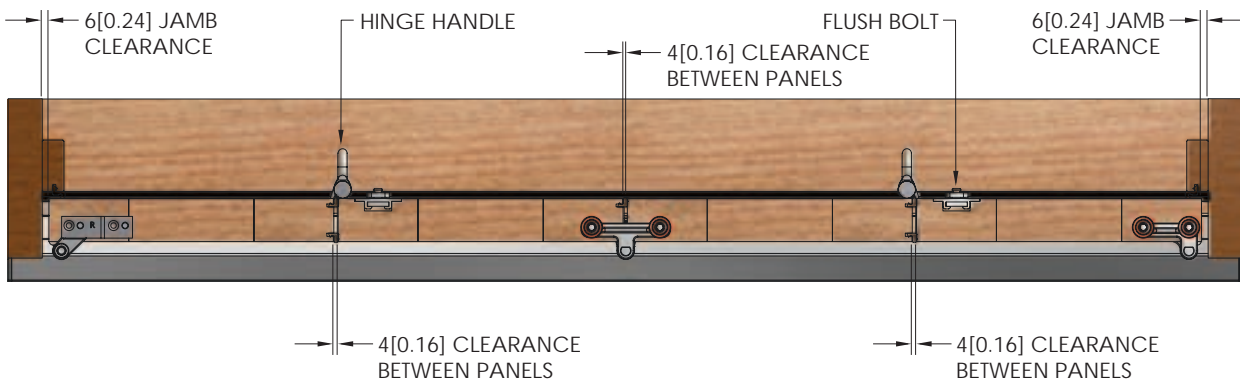
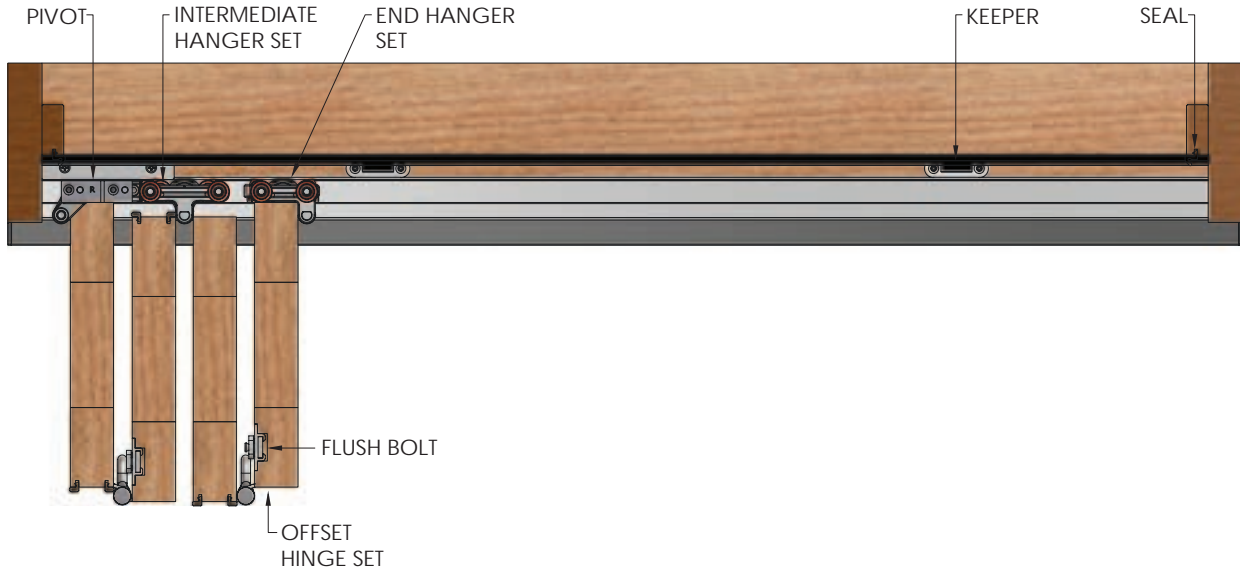
Architectural Details

Hardware Layout – Mortise Radius Corner Hinges



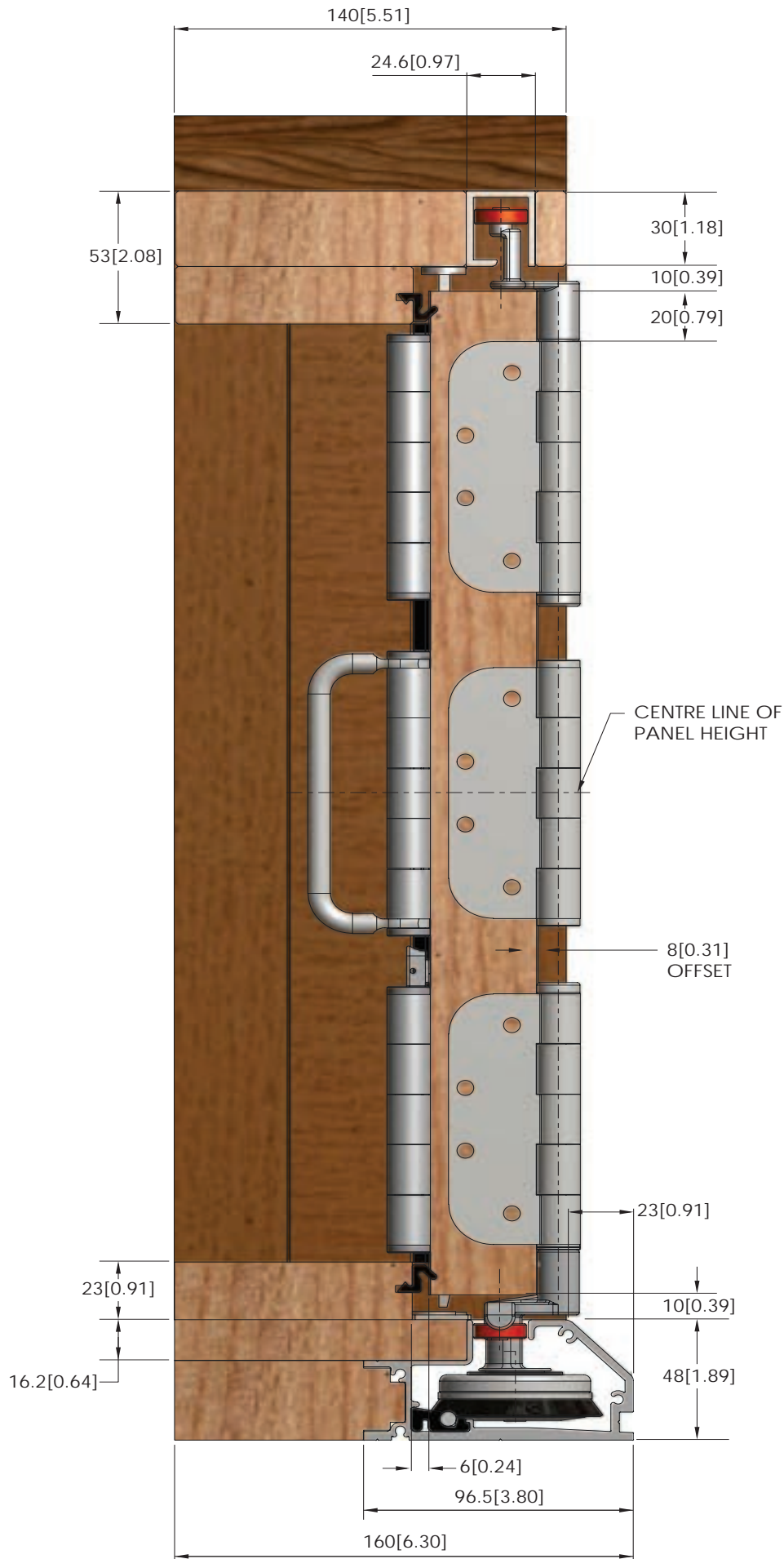
Architectural Details

Top and Front View – Mortise Radius Corner Hinges



Architectural Details

End View – Mortise Radius Corner Hinges



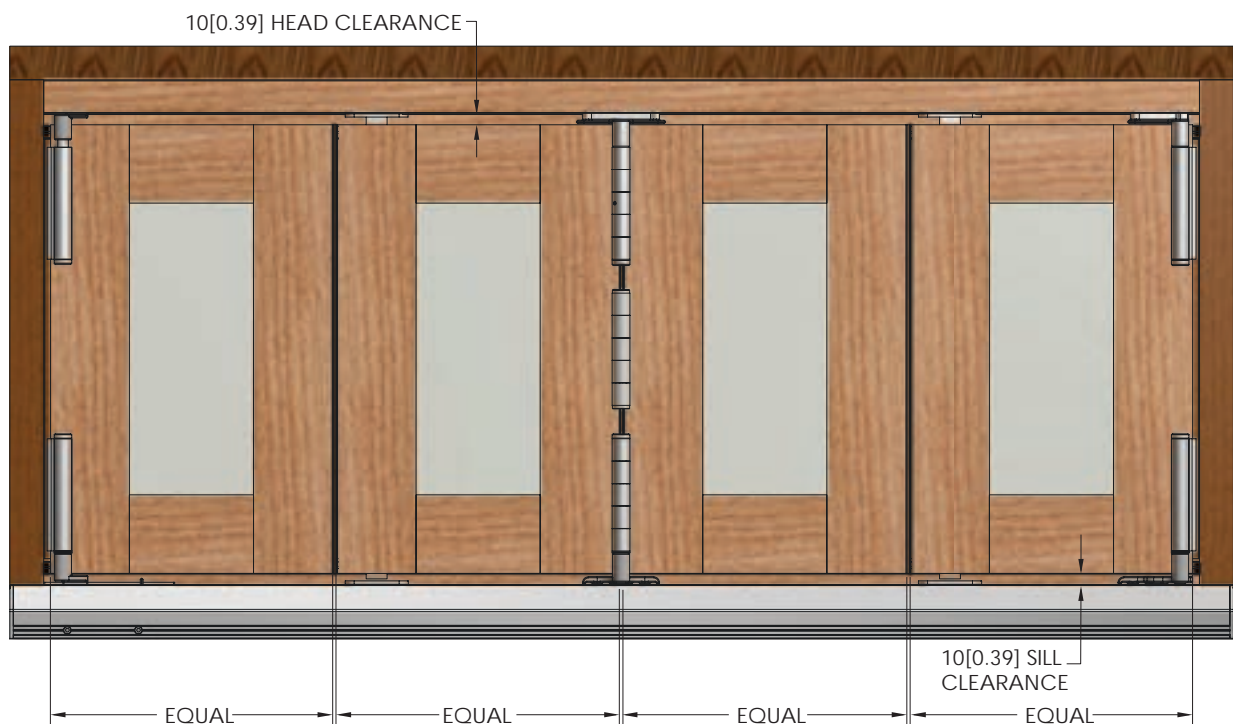
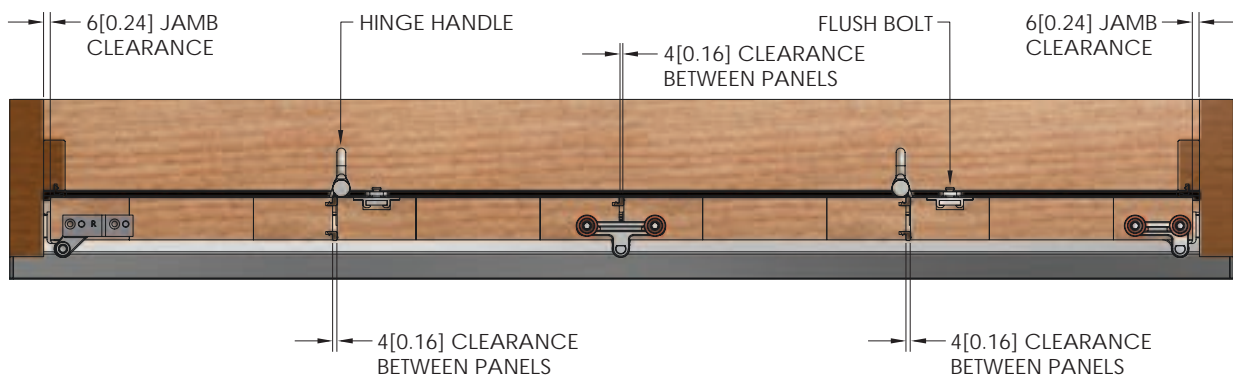
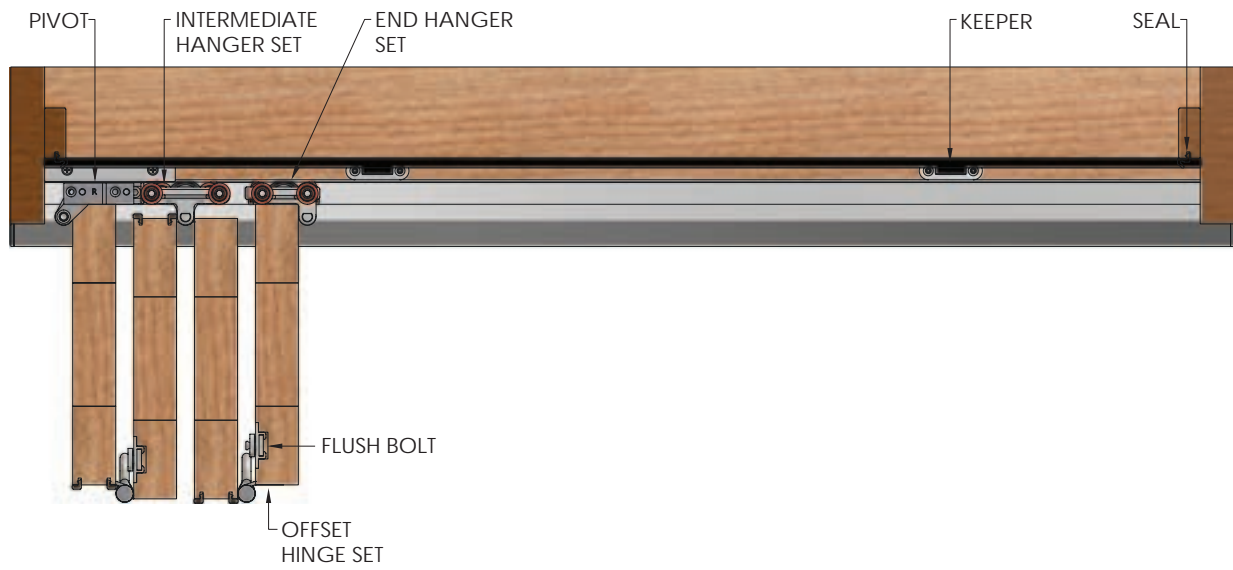
Architectural Details

Hardware Layout – Mortise Square Corner Hinges



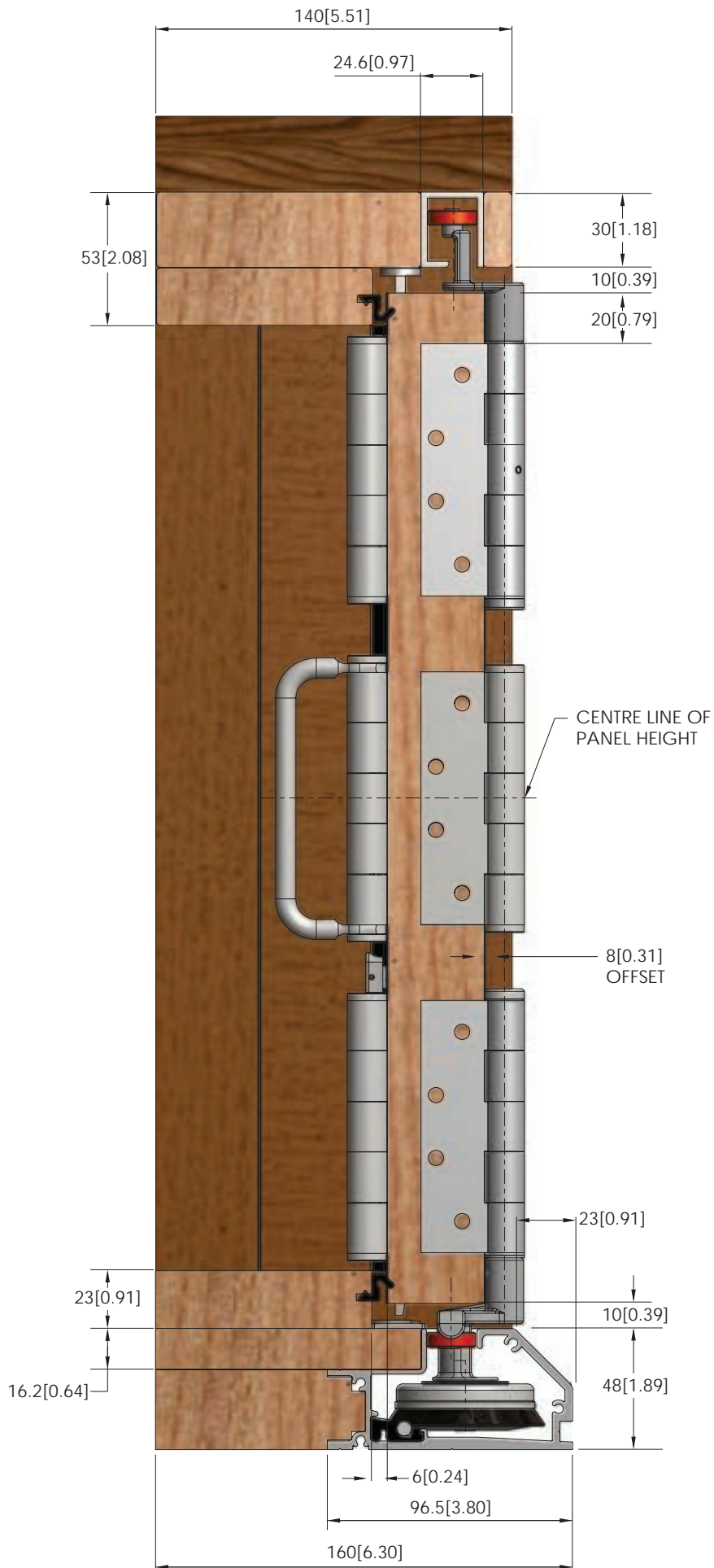
Architectural Details

Top and Front Views – Mortise Square Corner Hinges



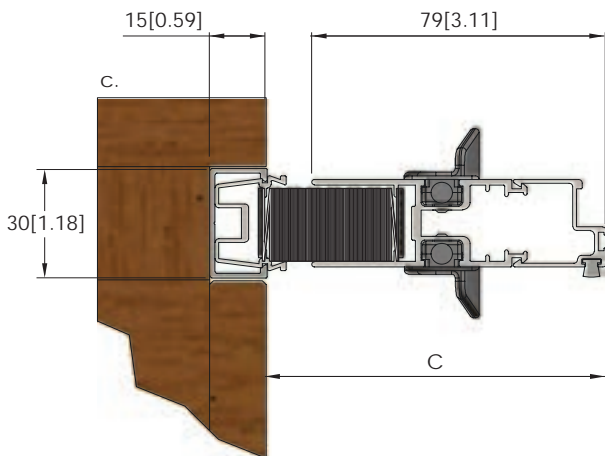
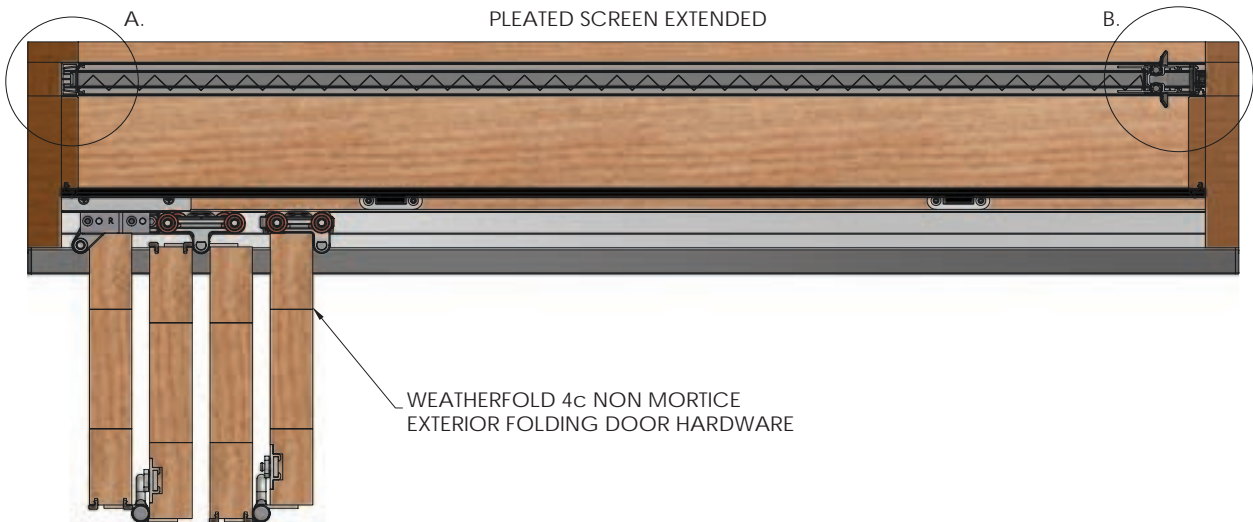
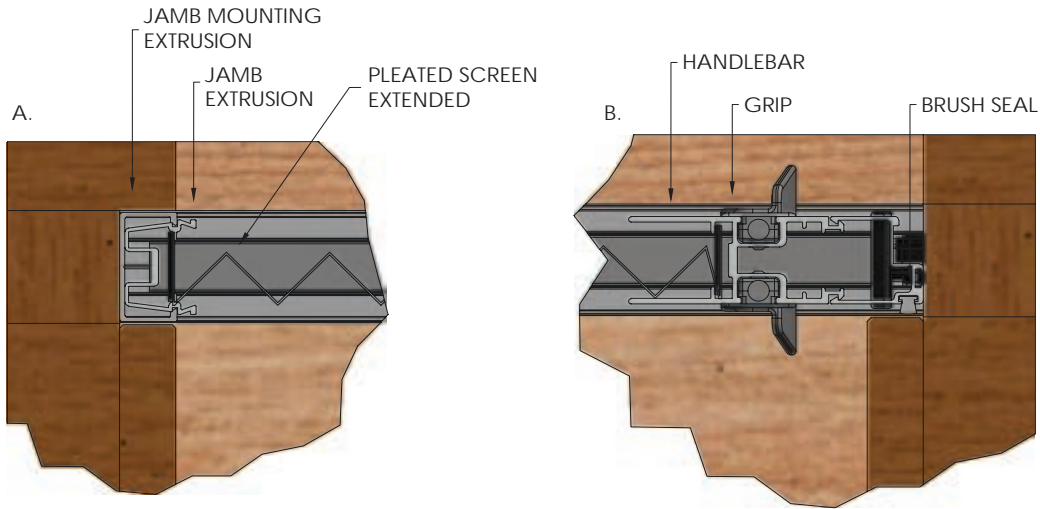
Architectural Details

End View – Mortise Square Corner Hinges

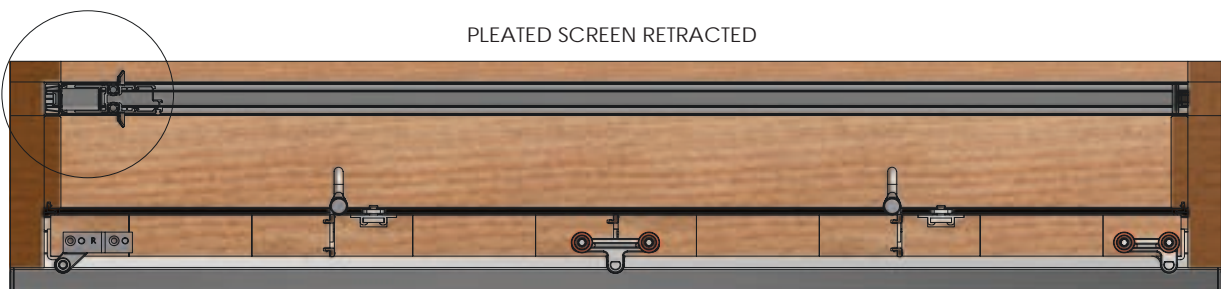


Architectural Details

Top View – Brio Weatherfold 4c 75 with Brio 612 Integrated Retractable Pleated Insect Screen

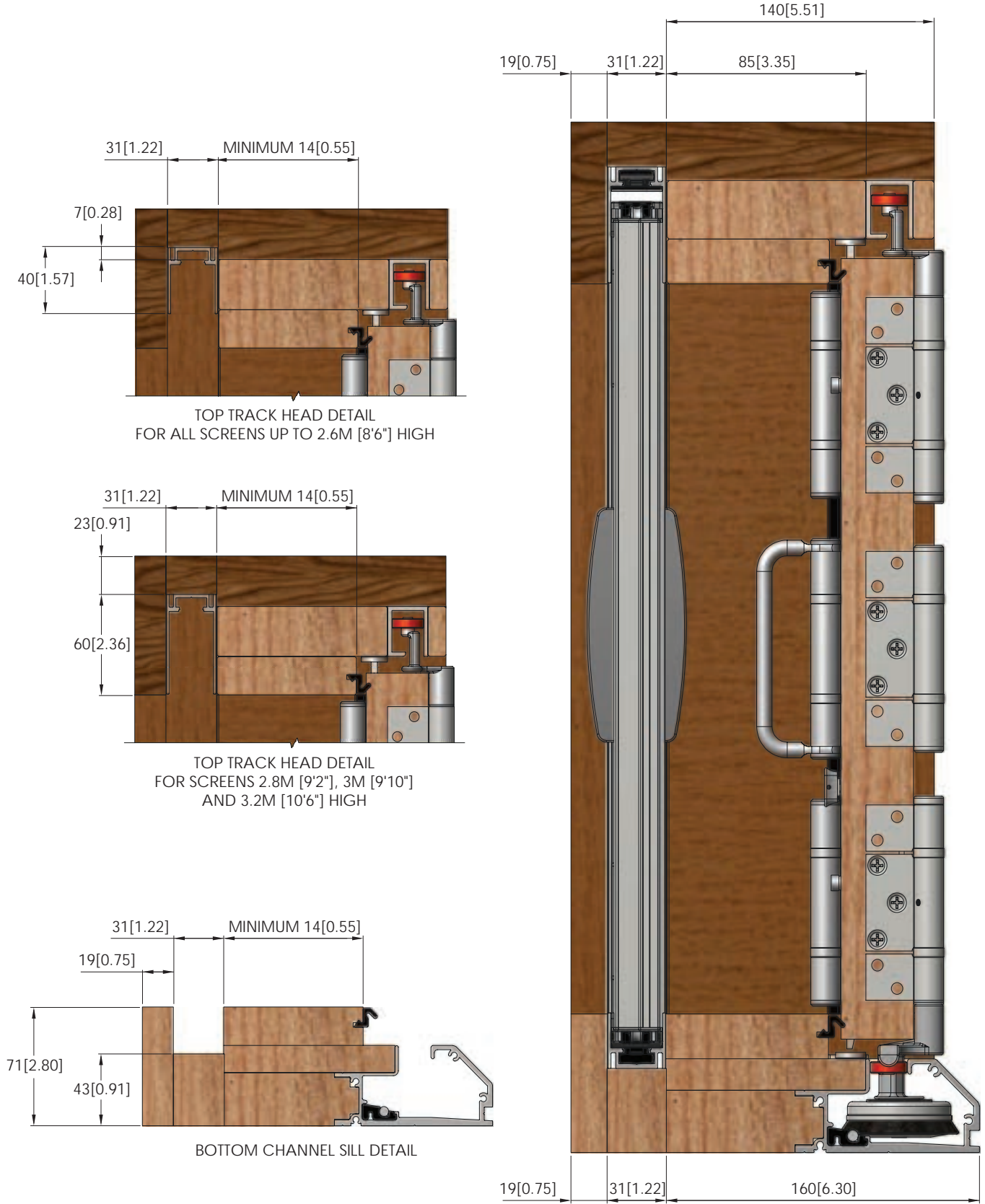


SCREEN WIDTH MM [IN]	DIMENSION C (OVERALL)
1100 [3'7"]	85 [3.35"]
1500 [4'11"]	85 [3.35"]
2000 [6'7"]	95 [3.74"]
2700 [8'10"]	107 [4.21"]
3600 [11'10"]	132 [5.2"]
4500 [14'9"]	155 [6.1"]



Architectural Details

End View – Brio Weatherfold 75 with Brio 612 Integrated Retractable Pleated Insect Screen





Specifications

Specification	Weatherfold 4c 75
Maximum panel weight	75kg (165lbs)
Maximum panel height	3.3m (10'9")
Maximum panel width	1m (3'3")
Maximum number of panels	16 (8 left and 8 right)
Maximum opening width	16.07m (52'8")
Panel thickness Non mortice Mortice (radius corner) Mortice (square corner)	35 to 68mm (1 $\frac{3}{8}$ " to 2 $\frac{3}{4}$ " 44 to 68mm (1 $\frac{3}{4}$ " to 2 $\frac{3}{4}$ " 44 to 68mm (1 $\frac{3}{4}$ " to 2 $\frac{3}{4}$ "
Hardware finish options	SS - Satin Stainless PS - Polished Stainless
Roller bearing construction	Stainless Steel precision bearings
Track profile	981 Series Aluminium Anodised
Sill profile	98HSA Series Aluminium Anodised

Brio®

Brio – Australia

PO Box 604, Chester Hill, 2162
C5 - C7, Regents Park Estate, 391 Park Road,
Regents Park, NSW 2143, Australia
Phone +61 2 8718 6718 Fax +61 2 8718 6719
www.brio.com.au
email: brío.sales@allegion.com

Brio – UK

Unit 30 Gateway West, Kingfisher Boulevard, Newburn Riverside,
Newcastle Upon Tyne, NE15 8NZ, United Kingdom
Phone +44 (0) 191 2291224 Fax +44 (0) 191 2677891
www.briouk.com
email: brío.sales.uk@allegion.com

Brio – USA

85 Mushroom Blvd
Rochester, NY 14623-3201
Toll Free +1 855 586 6251 Phone +1 585 319 5599 Fax +1 585 319 5741
www.briousa.com
email: brío.sales.usa@allegion.com

About Allegion

Allegion (NYSE: ALLE) is a global pioneer in the field of safety and security. We keep people and their property safe, wherever they are, bringing together simple solutions and advanced technology. Allegion is a \$2 billion company, with products sold in almost 130 countries. For more, visit www.brio.com.au



ALLEGION™

Brio ■ <FSH> ■ LCN ■ LEGGE ■ SCHLAGE

© 2013 Allegion
allegion.com